

PRO-Source™ water system jet tank packages



ProJet™ pumps are Listed to UL Standards for Safety by Underwriters Laboratories Inc. (UL). PRO-Source™ tanks are UL Classified to ANSI/NSF 61, Drinking Water Systems Components.



PRO-Source™ Water System Packages are handy and economical pump/tank packages for the professional contractor. The PRO-Source™ Water System Packages utilize the NEW ProJet™ cast iron jet pumps and the dependable PRO-Source™ quality

pressurized steel tanks. Plumbing connections are made using galvanized fittings and 3-ply nylon reinforced vinyl tubing with stainless steel hose clamps. Ideal for installations where there is limited space.

ORDERING INFORMATION

Jet/ Tank Cat. No.	HP	Jet Pump Type	Pump Cat. No.	Tank Cat. No.	Tank Style	Tank Capacity U.S. Gals.	Drawdown @30-50 PSI Switch Set.	Pipe Size		Approx Wt. Lbs.
								Inlet	Outlet	
SNCP15H	1/2	Shallow Well	SNC	PS15H	Horizontal	6	1.8	1-1/4"	1"	85
SNCP42	1/2	Shallow Well	SNC	PS42	Vertical	19	5.8	1-1/4"	1"	120
SLCP42*	1/2	Deep Well	SLC	PS42	Vertical	19	5.8	1-1/4" x 1"	1"	127
SLDP42*	3/4	Deep Well	SLD	PS42	Vertical	19	5.8	1-1/4" x 1"	1"	130

*Shallow well/deep well jet package included.

APPLICATIONS

- Water systems, sprinkling and pressure boosting... for homes, farms and cottages.

SPECIFICATIONS

- Max. Liquid Temperature – 120°F (49°C)
- Max. Inlet Pressure – 50 PSI
- Pump Discharge PSI – Not to exceed 100 PSI

FEATURES

- ProJet™ Jet Pumps**
- Body** – Close-grained cast iron
- Nozzle** – High strength polycarbonate
- Venturi** – Polycarbonate
- Impeller** – Noryl®
- Diffuser** – Reinforced polypropylene.
- Shaft** – 416 stainless steel
- Base** – Steel, 10 gauge

PRO-Source™ Pressurized Tanks

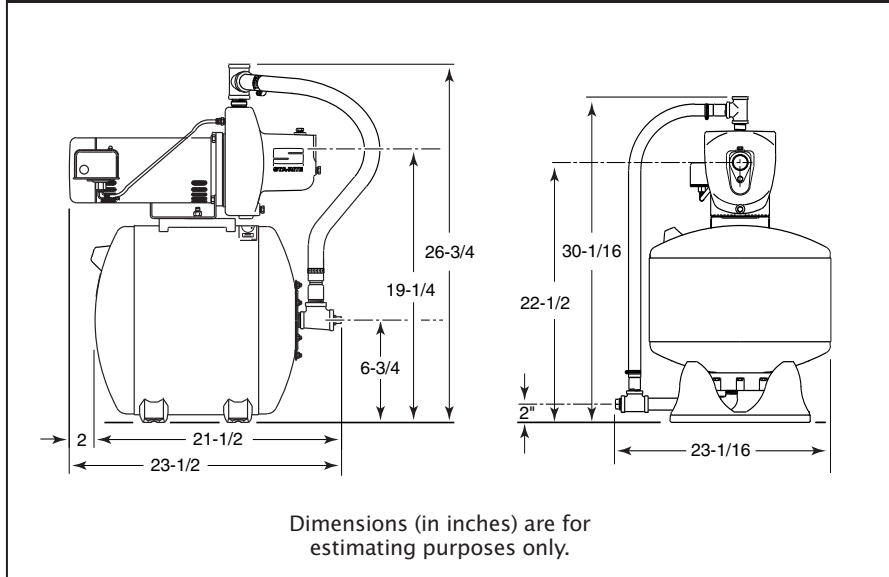
- Shell** – Heavy gauge steel
- Base** – High-impact composite; polypropylene
- Finish** – Baked-on polyester paint
- Water Cell** – PVC made from FDA listed material
- Flange** – Reinforced polypropylene.
- Connections** – Galvanized
- Tubing** – 3-ply nylon reinforced vinyl with stainless steel hose clamps

Noryl® is a registered trademark of General Electric Co. ProJet™ and PRO-Source™ are trademarks of WICOR Industries.

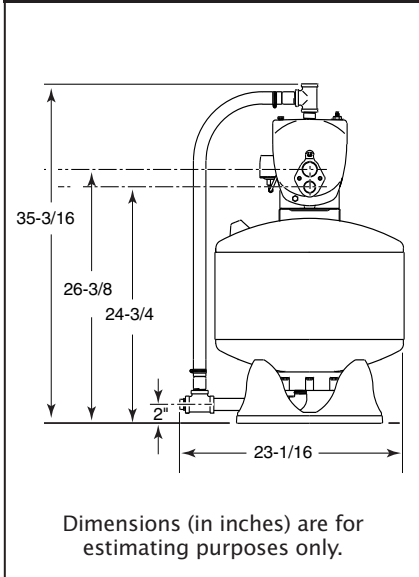
In order to provide the best products possible, specifications are subject to change.

PRO-Source™ water system jet tank packages

OUTLINE DIMENSIONS – SHALLOW WELL



OUTLINE DIMENSIONS – DEEP WELL



SHALLOW WELL PUMP PERFORMANCE (Capacity in Gallons Per Minute)

Catalog Number	HP	Total Suction Lift	Discharge Pressure PSI			Shut Off PSI
			30	40	50	
SNCP	1/2	5'	9.7	7.9	4.5	67
		10'	8.3	7.2	3.8	65
		15'	7.4	6.4	3.1	62
		20'	5.9	5.6	2.7	60
		25'	4.3	4.1	1.8	58

TANK DRAWDOWN (In Gallons)

Tank Cat. No.	Pressure Switch Setting				
	20-40	30-50	40-60	50-70	60-80
PS15H	2.2	1.8	1.6	1.4	1.2
PS42S	6.9	5.8	5.0	4.4	3.9

NOTE: Pump will operate at all depths shown, with pressure switch set at 30-50 PSI. Pumps installed with PRO-Source™ tank require a 100 PSI relief valve.

DEEP WELL PUMP PERFORMANCE (Capacity in Gallons Per Minute)

Catalog Number	HP	Use Venturi/ Nozzle	Ejector Pkg.*	Shallow Well Jet Combinations					
				Total Suction Lift	Discharge Pressure (PSI)				Shut Off PSI
					30	40	50	60	
SLCP	1/2	N32P-66B J34P-41	29SD	5'	9.0	7.9	4.1	-	61
				15'	7.2	6.3	3.3	-	56
				25'	4.7	4.1	2.1	-	52
SLDP	3/4	N32P-66B J34P-41	29SD	5'	9.9	9.8	7.3	3.5	70
				15'	7.9	7.8	5.8	2.8	64
				25'	5.1	5.0	3.8	1.7	59

Catalog Number	HP	Use Venturi/ Nozzle	Ejector Pkg.*	Shallow Well Jet Combinations							
				Discharge Pressure PSI	Discharge Pressure (PSI)					Shut Off Min. Depth	
					30	40	50	60	70		80
SLCP	1/2	J32P-24 J34P-41	4SD	30	7.3	5.8	4.5	3.3	2.3	-	68
				40	4.5	3.4	2.3	-	-	-	
SLDP	3/4	J32P-24 J34P-41	4SD	30	8.9	7.3	6.4	5.0	4.0	2.5	75
				40	6.5	5.1	4.0	3.0	1.8	0.8	

*Jet packages included.