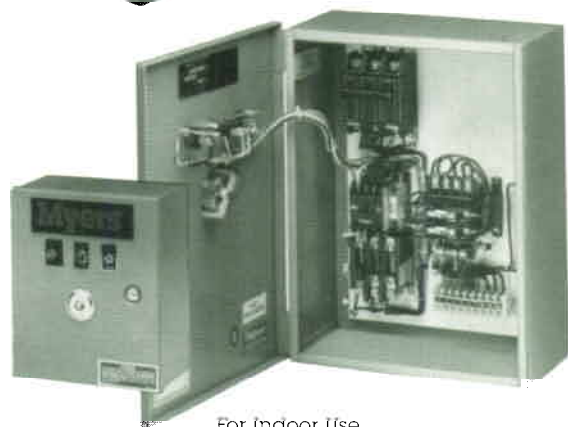


CE, CMEP & CMW Simplex Electrical Control Panels

For ¼-2 HP S, SS, SR, WHV-5, WHR, WHRE, WHRH, ME, P, 3MW Pumps 1-3 HP



For Outdoor Use



For Indoor Use

MYERS HAS RE-ENGINEERED THE CONTROL PANEL LINE FOR IMPROVED DURABILITY, RELIABILITY AND ECONOMY. CAD flexibility enhances our response time to help us better meet your control panel requirements. Contact your Myers distributor, or the Myers Ohio sales office at 419/289-1144 for more details.

ADVANTAGES BY DESIGN

QUALITY ELECTRICAL COMPONENTS ASSURE RELIABLE, AUTOMATIC PUMP OPERATION

- IEC horsepower-rated contactors (single phase) and motor starters (three phase) rated at over 1 million cycles.
- Three phase starters with ambient-compensated quick-trip overloads for maximum motor protection.
- Designed for use with three standard mercury float switches, off-on-alarm. (Not included with panel, please order separately.)

CORROSION RESISTANT FOR LONG LIFE

- Outdoor panels of weathertight NEMA 4X fiberglass with aluminum back panel.
- Indoor panels of enamel-coated galvanized steel.

MEETS NEC AND UL STANDARDS FOR SAFETY

- UL approved panel designs.
- 100VA control circuit transformer with primary fusing on 3-phase panels.
- Main circuit breaker.

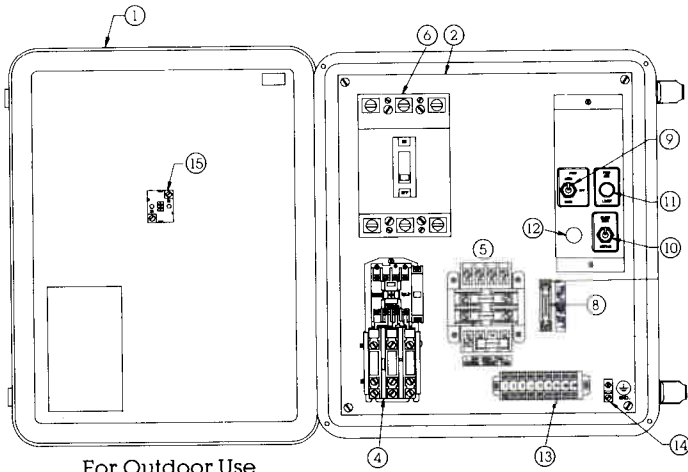
SIMPLEX PANEL MODELS

CATALOG NUMBER	ENCLOSURE	HP	PHASE	VOLTS	USED WITH PUMP										
					S	SS	SR	MW	WHR	WHRH	ME	P	3MW (1-2 HP)	3MW (3 HP)	
CE-11SW	NEMA 4X	¼ - ½	1	115	X	X	X	X	X	X	X	X	X		
CE(DS)-11SW	NEMA 4X	½	1	115					X	X					
CMEP(SL)-11SW	NEMA 4X	¼ - ½	1	115							X	X			
CE-21SW	NEMA 4X	½ - 2	1	230	X	X	X	X	X	X	X	X	X	X	
CE(DS)-21SW	NEMA 4X	½ - 2	1	230					X	X					
CMEP(SL)-21SW	NEMA 4X	½ - 2	1	230				X			X	X		X	
CE-23SW	NEMA 4X	½ - 2	3	208/230				X	X	X	X			X	
CMEP(SL)-23SW	NEMA 4X	½ - 2	3	208/230				X	X	X	X			X	
CE-43SW	NEMA 4X	½ - 2	3	460				X	X	X	X			X	
CMEP(SL)-43SW	NEMA 4X	½ - 2	3	460				X			X			X	
CE-11S	NEMA 1	¼ - ½	1	115	X	X	X	X	X	X	X	X			
CE(DS)-11S	NEMA 1	½	1	115					X	X					
CMEP(SL)-11S	NEMA 1	¼ - ½	1	115							X	X			
CE-21S	NEMA 1	½ - 2	1	230	X	X	X	X	X	X	X	X	X	X	
CE(DS)-21S	NEMA 1	½ - 2	1	230					X	X					
CMEP(SL)-21S	NEMA 1	½ - 2	1	230				X			X	X		X	
CE-23S	NEMA 1	½ - 2	3	208/230				X	X	X	X			X	
CMEP(SL)-23S	NEMA 1	½ - 2	3	208/230				X			X			X	
CE-43S	NEMA 1	½ - 2	3	460				X	X	X	X			X	
CMEP(SL)-43S	NEMA 1	½ - 2	3	460				X			X			X	
CMW-30-21SW	NEMA 4X	3	1	230											X
CMW-30-23SW	NEMA 4X	3	3	208/230											X
CMW-30-43SW	NEMA 4X	3	3	460											X
CMWD-30-21SW	NEMA 4X	3	1	230											X
CMWD-30-23SW	NEMA 4X	3	3	208/230											X
CMWD-30-43SW	NEMA 4X	3	3	460											X
CMW-30-21S	NEMA 1	3	1	230											X
CMW-30-23S	NEMA 1	3	3	208/230											X
CMW-30-43S	NEMA 1	3	3	460											X
CMWD-30-21S	NEMA 1	3	1	230											X
CMWD-30-23S	NEMA 1	3	3	208/230											X
CMWD-30-43S	NEMA 1	3	3	460											X

NOTE: CE(DS), CMEP(SL) and CMWD catalog numbers are for double seal pump with seal leak sensor, panel has seal leak light.

CE, CMEP & CMW Simplex Electrical Control Panels

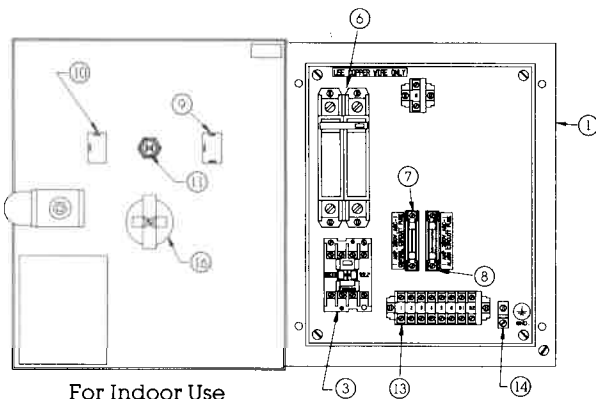
For 1/4-2 HP S, SS, SR, WHV-5, WHR, WHRE, WHRH, ME, P, 3MW Pumps 1-3 HP



For Outdoor Use

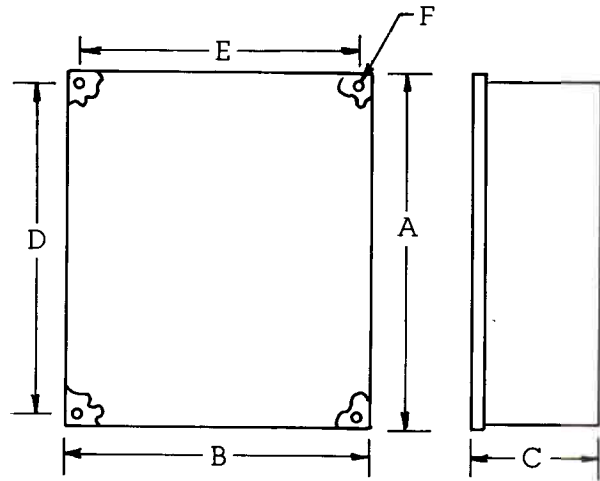
STANDARD PANEL FEATURES

- ① **CORROSION-RESISTANT ENCLOSURE** NEMA 4X fiberglass (outdoor), NEMA 1 steel (indoor).
- ② **ALUMINUM BACK PANEL** NEMA 4X only
- ③ **IEC CONTACTOR** Silver cadmium oxide contacts
- ④ **IEC MOTOR STARTER** 3-pole bi-metal overload relay
- ⑤ **100VA CONTROL CIRCUIT TRANSFORMER** Primary fusing on 3Ø
- ⑥ **MAIN CIRCUIT BREAKER**
- ⑦ **CONTROL CIRCUIT FUSE** 1 amp
- ⑧ **ALARM CIRCUIT FUSE** 1 amp
- ⑨ **HAND-OFF-AUTO SWITCH** Momentary in-hand position
- ⑩ **ALARM TEST SWITCH**
- ⑪ **PUMP RUN LIGHT** Amber
- ⑫ **SEAL LEAK LIGHT** Red. Use with double seal pumps only
- ⑬ **TERMINAL BLOCKS** For pump and float connections
- ⑭ **GROUND LUG**
- ⑮ **ALARM LIGHT** Nameplate mounted through enclosure front (NEMA 4X)
- ⑯ **ALARM BUZZER** 86 db at 10 ft. (NEMA 1)



For Indoor Use

ENCLOSURE DIMENSIONS



PANEL	NEMA 1 1Ø	NEMA 1 3Ø	NEMA 4X 1Ø	NEMA 4X 3Ø	NEMA 4X 1Ø 3 HP CMW
MATL	Steel	Steel	Fiberglass	Fiberglass	Fiberglass
A	12 ¹ / ₄	16 ¹ / ₄	13 ⁷ / ₁₆	17 ¹ / ₂	15 ¹ / ₂
B	10 ⁷ / ₈	12 ¹ / ₄	11 ⁷ / ₁₆	15 ¹ / ₁₆	13 ³ / ₈
C	6	6	6 ⁵ / ₁₆	7 ¹¹ / ₁₆	7 ¹¹ / ₁₆
D	9	13	12 ³ / ₈	16 ³ / ₄	14 ³ / ₈
E	9	11	8	12	10
F	7 ¹ / ₃₂	7 ¹ / ₃₂	7 ¹ / ₁₆	7 ¹ / ₁₆	7 ¹ / ₁₆

OPTIONAL PANEL FEATURES

- Elapsed time meter
- Alarm bell or horn
- Alarm bell or horn with silence switch
- Auxiliary contacts
- Condensation heater
- Convenience outlet
- Intrinsically safe relays
- Lightning arrestor
- Full inner door
- Cycle counter
- 24 volt control circuitry
- Transfer switch/generator receptacle
- Pump delay circuitry
- Low level cut-off and alarm
- Phase loss circuitry
- Low voltage circuitry

Other options also available

NOTE: Some options may increase enclosure size.

K3194 12/00
Printed in U.S.A.



Myers®

Pentair Pump Group

F. E. Myers, 1101 Myers Parkway, Ashland, Ohio 44805-1969
419/289-1144, FAX: 419/289-6658, www.femyers.com

Myers (Canada), 269 Trillium Drive, Kitchener, Ontario N2G 4W5
519/748-5470, FAX: 519/748-2553