

CGL, CG, CNC, CWHV3 and CWHV4 Single Phase Simplex and Duplex Control Panels

For 2-5 HP Single Phase Submersible
Grinder Pumps and 1-5 HP
Single Phase Submersible
Non-Clog Pumps

MYERS HAS RE-ENGINEERED THE CONTROL PANEL LINE FOR IMPROVED DURABILITY, RELIABILITY AND ECONOMY. CAD flexibility enhances our response time to help us better meet your control panel requirements. Contact your Myers distributor, or the Myers Ohio sales office at 419/289-1144 for more details.

ADVANTAGES BY DESIGN

QUALITY ELECTRICAL COMPONENTS ASSURE RELIABLE, AUTOMATIC PUMP OPERATION

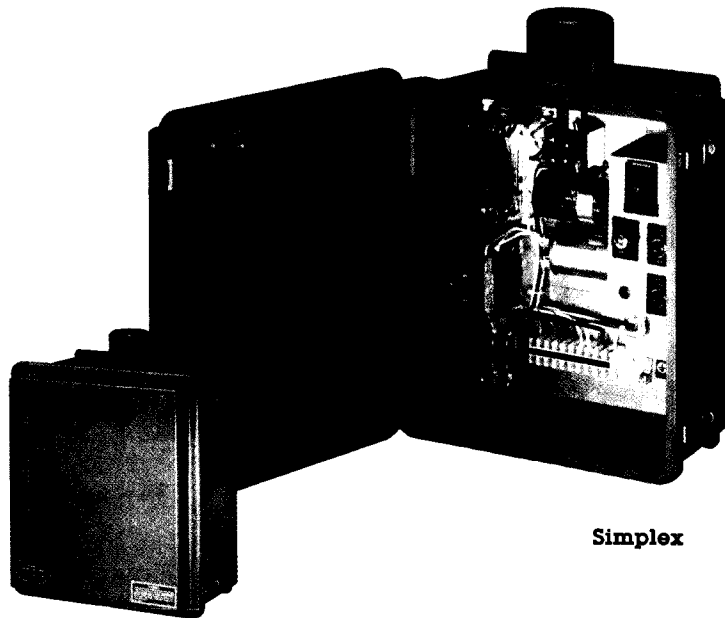
- IEC horsepower-rated motor contactors rated at over 1 million cycles.
- CG, CNC, CWHV3/4 have 1 pole ambient-compensated bi-metal overload relay.
- CGL has Klixon overload.
- Designed for use with standard mercury float switches. Uses three for simplex (off-on-alarm), four for duplex (off-on-override-alarm).
- Solid state alternating relay (on duplex only) to equalize pump wear.
- Override relay to start second pump if first one fails for any reason.

CORROSION RESISTANT FOR LONG LIFE

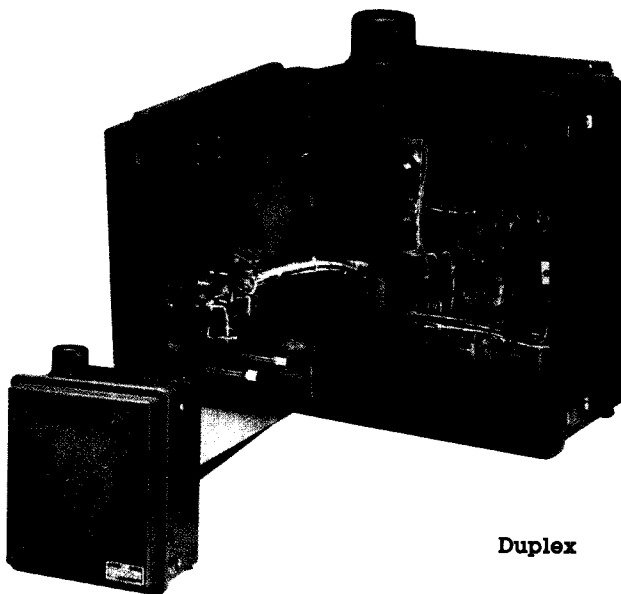
- Weathertight NEMA 4X fiberglass enclosures with aluminum back panels.

MEETS NEC AND UL (508) STANDARDS FOR SAFETY

- UL-approved panel designs (label installed only on request).
- Individual pump circuit breakers.
- Separate control and alarm fuses.



Simplex



Duplex

WHERE INNOVATION MEETS TRADITION

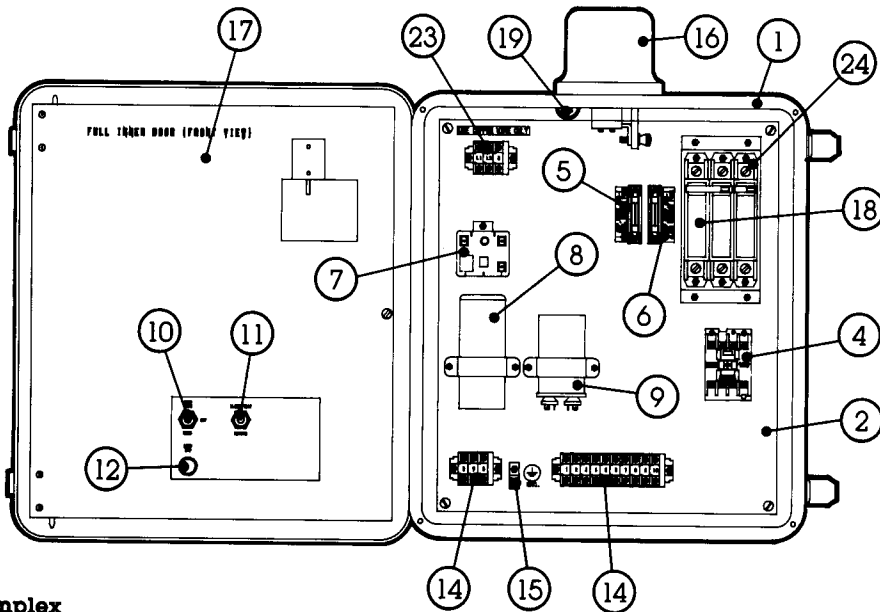
Myers[®]

Pentair Pump Group

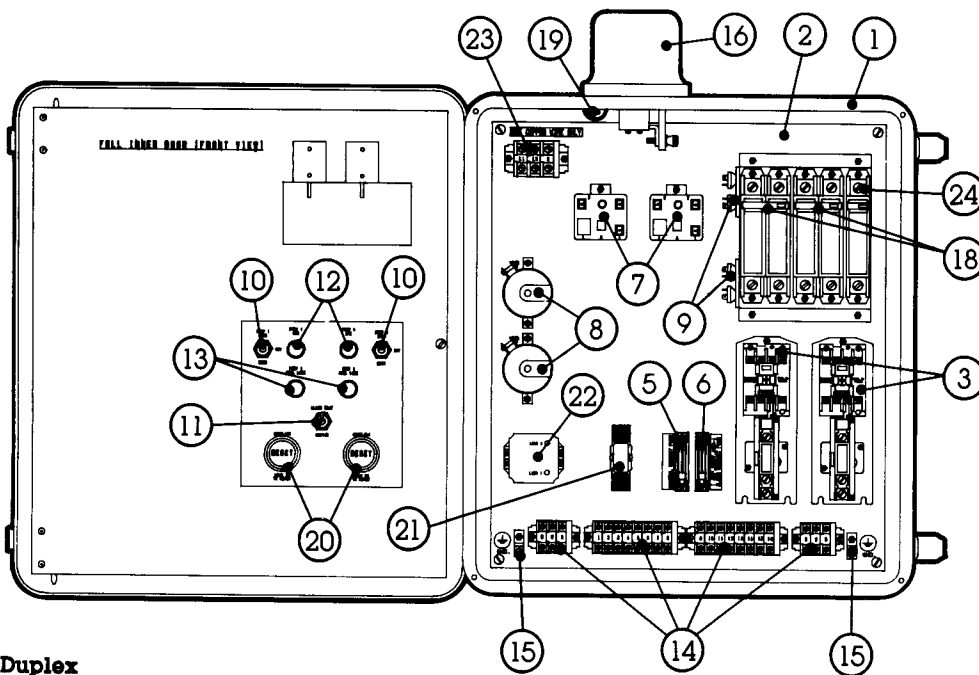
CGL, CG, CNC, CWHV3 and CWHV4 Single Phase Simplex and Duplex Control Panels

For 2-5 HP Single Phase Submersible
Grinder Pumps and 1-5 HP
Single Phase Submersible
Non-Clog Pumps

STANDARD PANEL FEATURES FOR CG, CNC, CWHV3 AND CWHV4



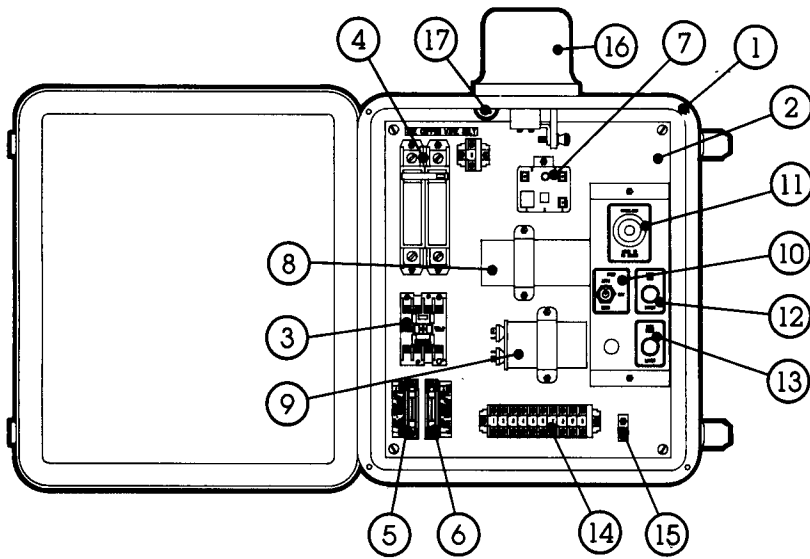
Simplex



Duplex

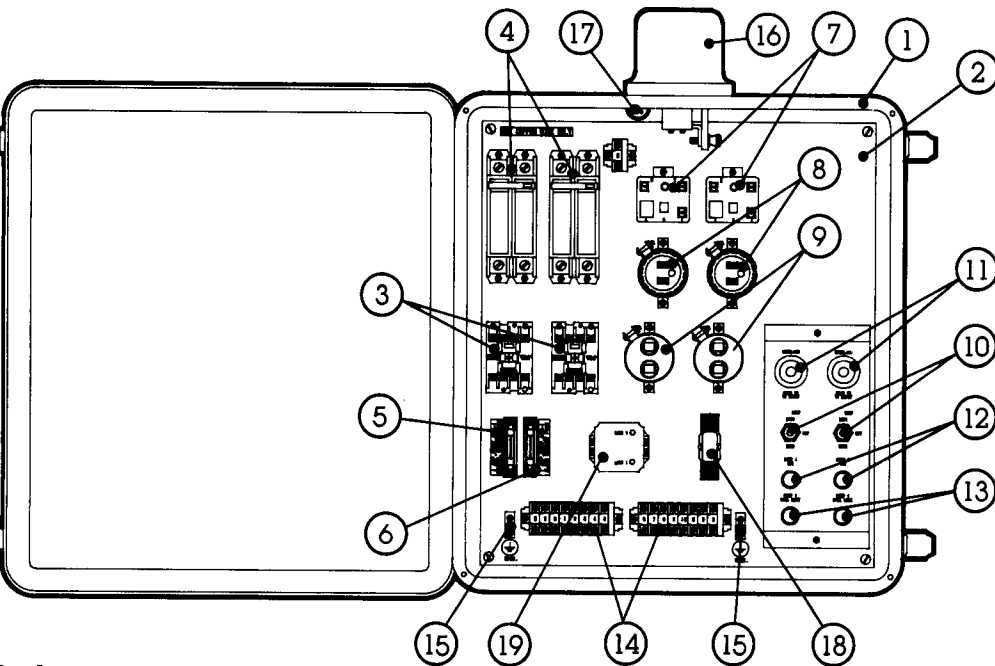
- ① CORROSION-RESISTANT ENCLOSURE NEMA 4X fiberglass (outdoor)
- ② ALUMINUM BACK PANEL
- ③ IEC MOTOR STARTER(S) with 1-pole bi-metal overload relay (not on CWHV3)
- ④ IEC MOTOR CONTACTOR(S) (CWHV3 only)
- ⑤ CONTROL CIRCUIT FUSE 1 amp
- ⑥ ALARM CIRCUIT FUSE
- ⑦ START WINDING RELAY(S)
- ⑧ STARTING CAPACITOR(S)
- ⑨ RUNNING CAPACITOR(S)
- ⑩ HAND-OFF-AUTO SWITCH Momentary in-hand
- ⑪ ALARM TEST SWITCH
- ⑫ PUMP RUN LIGHT (Amber)
- ⑬ SEAL LEAK LIGHT (Red) (Not on CWHV3)
- ⑭ TERMINAL BLOCKS
- ⑮ GROUND LUG(S)
- ⑯ FLASHING ALARM LIGHT Mounted on top of enclosure (red)
- ⑰ FULL INNER DOOR
- ⑱ PUMP CIRCUIT BREAKER(S) Lock-out tab
- ⑲ SOLID STATE FLASHER
- ⑳ OVERLOAD RESET BUTTON (not on CWHV3)
- ㉑ OVERRIDE RELAY In event of first pump failure (duplex only)
- ㉒ ALTERNATOR RELAY Solid state (duplex only)
- ㉓ INCOMING POWER TERMINAL BLOCKS
- ㉔ CONTROL CIRCUIT CIRCUIT BREAKER

STANDARD PANEL FEATURES FOR CGL



Simplex

- ① **CORROSION-RESISTANT ENCLOSURE NEMA 4X**
fiberglass (outdoor)
- ② **ALUMINUM BACK PANEL**
- ③ **IEC MOTOR CONTACTOR(S)**
Silver cadmium oxide contacts
- ④ **PUMP CIRCUIT BREAKERS**
- ⑤ **CONTROL CIRCUIT FUSE**
1 amp
- ⑥ **ALARM CIRCUIT FUSE**
1 amp
- ⑦ **START WINDING RELAY(S)**
- ⑧ **STARTING CAPACITOR(S)**
- ⑨ **RUNNING CAPACITOR(S)**
- ⑩ **HAND-OFF-AUTO SWITCH**
Momentary in-hand
- ⑪ **KLIXON OVERLOAD**
- ⑫ **PUMP RUN LIGHT (Amber)**
- ⑬ **SEAL LEAK LIGHT (Red)**
Only on units with detector
- ⑭ **TERMINAL BLOCKS**
- ⑮ **GROUND LUG(S)**
- ⑯ **FLASHING ALARM LIGHT**
Mounted on top of enclosure (red)
- ⑰ **SOLID STATE FLASHER**
- ⑱ **VERRIDE RELAY** In event of first pump failure (duplex only)
- ⑲ **ALTERNATOR RELAY** Solid state (duplex only)



Duplex

CGL, CG, CNC, CWHV3 and CWHV4 Single Phase Simplex and Duplex Control Panels

For 2-5 HP Single Phase Submersible
Grinder Pumps and 1-5 HP
Single Phase Submersible
Non-Clog Pumps

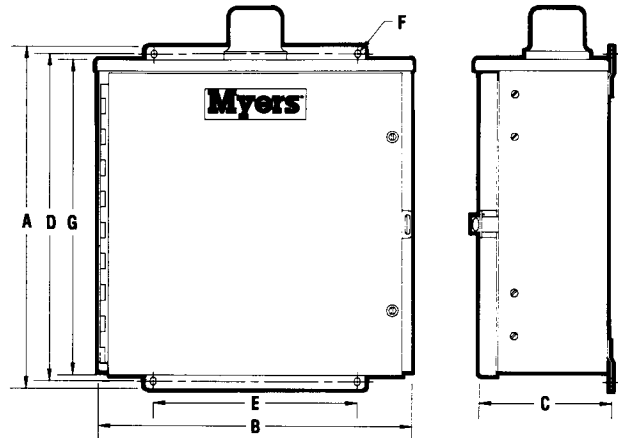
SIMPLEX SELECTION CHART

CATALOG NUMBER	ENCL.	HP	VOLT.	USED WITH PUMPS:
CGL-01SW	NEMA 4X	2	208	WGL20-01 or WGL20-01 (LD)
CGL-21SW	NEMA 4X	2	230	WGL20-21
CGL(LD)-21SW	NEMA 4X	2	230	WGL20-21 (LD)
CG-20-21SW	NEMA 4X	2	230	WG20-21
CG-30-21SW	NEMA 4X	3	230	WG30-21, WG50H-21, 3RH50M2-21
CG-30H-21SW	NEMA 4X	3	230	WG30H-21, 3RH30M2-21
CG-50-21SW	NEMA 4X	5	230	WG50-21
CNC-10-21SW	NEMA 4X	1	230	4V10M6-21
CNC-15-21SW	NEMA 4X	1½	230	4V15M6-21
CNC-20-21SW	NEMA 4X	2-3	230	4V20M6-21, 4V30M6-21
CNC-30-21SW	NEMA 4X	3	230	4V30M4-21, 4R30M4-21
CNC-50-21SW	NEMA 4X	5	230	4V50M4-21, 4R50M4-21
CWHV3-15-21SW	NEMA 4X	1-1½	230	3WHV10M4-21, 3WHV15M4-21
CWHV3-20-21SW	NEMA 4X	2	230	3WHV20M4-21
CWHV3-30-21SW	NEMA 4X	3	230	3WHV30M4-21
CWHV3-50-21SW	NEMA 4X	5	230	3WHV50M4-21
CWHV4-30-21SW	NEMA 4X	3	230	4WHV30M4-21
CWHV4-50-21SW	NEMA 4X	5	230	4WHV50M4-21

DUPLEX SELECTION CHART

CATALOG NUMBER	ENCL.	HP	VOLT.	USED WITH PUMPS:
CGL-01DW	NEMA 4X	2	208	WGL20-01 or WGL20-01 (LD)
CGL-21DW	NEMA 4X	2	230	WGL20-21
CGL(LD)-21DW	NEMA 4X	2	230	WGL20-21 (LD)
CG-20-21DW	NEMA 4X	2	230	WG20-21
CG-30-21DW	NEMA 4X	3	230	WG30-21, WG50H-21, 3RH50M2-21
CG-30H-21DW	NEMA 4X	3	230	WG30H-21, 3RH30M2-21
CG-50-21DW	NEMA 4X	5	230	WG50-21
CNC-10-21DW	NEMA 4X	1	230	4V10M6-21
CNC-15-21DW	NEMA 4X	1½	230	4V15M6-21
CNC-20-21DW	NEMA 4X	2-3	230	4V20M6-21, 4V30M6-21
CNC-30-21DW	NEMA 4X	3	230	4V30M4-21, 4R30M4-21
CNC-50-21DW	NEMA 4X	5	230	4V50M4-21, 4R50M4-21
CWHV3-15-21DW	NEMA 4X	1-1½	230	3WHV10M4-21, 3WHV15M4-21
CWHV3-20-21DW	NEMA 4X	2	230	3WHV20M4-21
CWHV3-30-21DW	NEMA 4X	3	230	3WHV30M4-21
CWHV3-50-21DW	NEMA 4X	5	230	3WHV50M4-21
CWHV4-30-21DW	NEMA 4X	3	230	4WHV30M4-21
CWHV4-50-21DW	NEMA 4X	5	230	4WHV50M4-21

ENCLOSURE DIMENSIONS



PANEL	CGL Simplex 1 Ph.	CG, CNC, CWHV Simplex 1 Ph.	CGL Duplex 1 Ph.	CG, CNC, CWHV Duplex 1 Ph.
MAT'L	Fiberglass	Fiberglass	Fiberglass	Fiberglass
A	15-1/2	17-1/2	19-5/8	19-5/8
B	13-3/8	15-7/16	17-1/2	17-1/2
C	7-3/4	7-11/16	10-5/8	10-5/8
D	14-5/8	16-3/4	18-7/8	18-7/8
E	10	12	12	12
F	5/16	5/16	5/16	5/16

OPTIONAL PANEL FEATURES

- Elapsed time meter
- Alarm bell or horn
- Alarm bell or horn with silence switch
- Auxiliary alarm contacts
- Condensation heater
- Convenience outlet
- Intrinsically safe relays
- Lightning arrestor
- Full inner door (CGL only)
- Cycle counter
- 115 or 24 volt control circuit transformer
- Transfer switch/generator receptacle
- Lag pump delay circuitry (duplex only)
- Low level cut-off and alarm
- Low voltage circuitry

Other options available, consult factory for applications

NOTE: Some options may increase enclosure size.