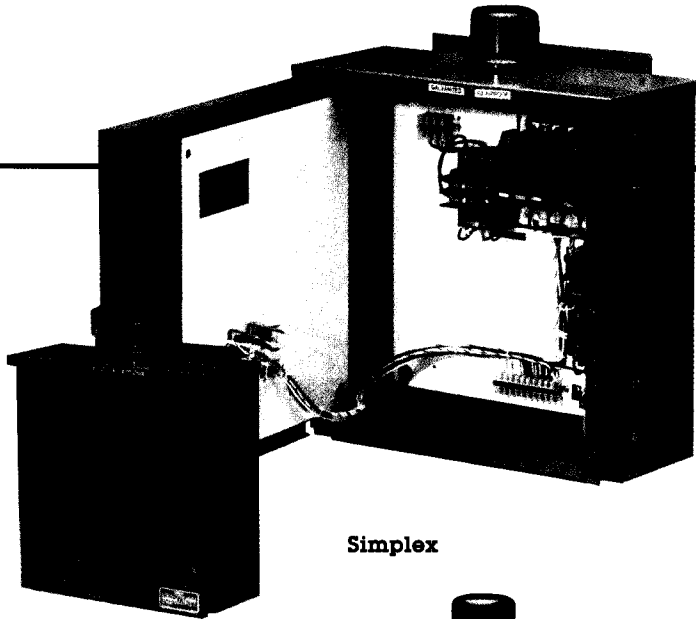
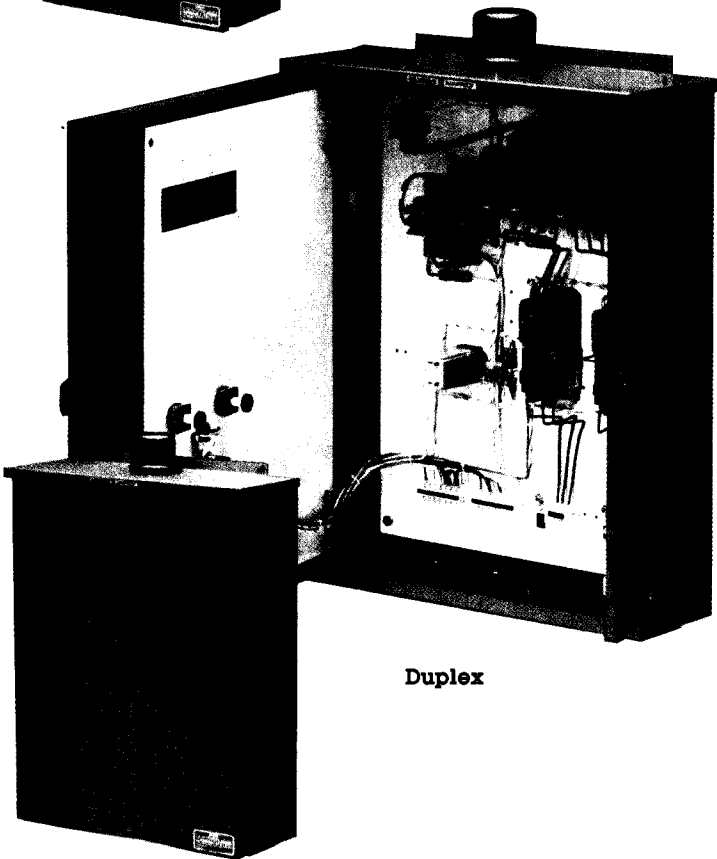


CGL, CGNC, CWHV3, CWHV4 and CNC Three Phase Simplex and Duplex Control Panels

For 2-7 $\frac{1}{2}$ HP Three Phase Submersible
Grinder Pumps and 1-60 HP
Three Phase Submersible
Non-Clog Pumps



Simplex



Duplex

ADVANTAGES BY DESIGN

QUALITY ELECTRICAL COMPONENTS ASSURE RELIABLE, AUTOMATIC PUMP OPERATION

- IEC horsepower-rated motor starters with 3-pole ambient compensated bi-metal overload relay rated at over 1 million cycles.
- Designed for use with standard mercury float switches. Uses three for simplex (off-on-alarm), four for duplex (off-on-override-alarm).
- Solid state alternator relay to equalize pump wear (duplex only).
- Override relay starts second pump if first one fails for any reason (on duplex panels only).
- Full inner door (except CGL).

CORROSION RESISTANT FOR LONG LIFE

- Outdoor NEMA 3R enclosures of galvanized steel with gray enamel finish and steel back panels (except CGL).
- Weathertight NEMA 4X fiberglass enclosures with aluminum back panels (CGL only).

MEETS NEC AND UL (508) STANDARDS FOR SAFETY

- UL-approved panel designs (label installed only on request).
- Individual pump circuit breakers.
- Control circuit transformer with primary fusing.
- Separate control and alarm circuit fuses.

OPTIONAL PANEL FEATURES

- Elapsed time meter
- Alarm bell or horn
- Alarm bell or horn with silence switch
- Auxiliary alarm contacts
- Condensation heater
- Convenience outlet
- Intrinsically safe relays
- Lightning arrestor
- Full inner door (CGL only)
- Cycle counter
- 115 or 24 volt control circuit transformer
- Transfer switch/generator receptacle
- Lag pump delay circuitry (duplex only)
- Low level cut-off and alarm
- Low voltage circuitry

Other options available, consult factory for applications

NOTE: Some options may increase enclosure size.

MYERS HAS RE-ENGINEERED THE CONTROL PANEL LINE FOR IMPROVED DURABILITY, RELIABILITY AND ECONOMY. CAD flexibility enhances our response time to help us better meet your control panel requirements. Contact your Myers distributor, or the Myers Ohio sales office at 419/289-1144 for more details.

WHERE INNOVATION MEETS TRADITION

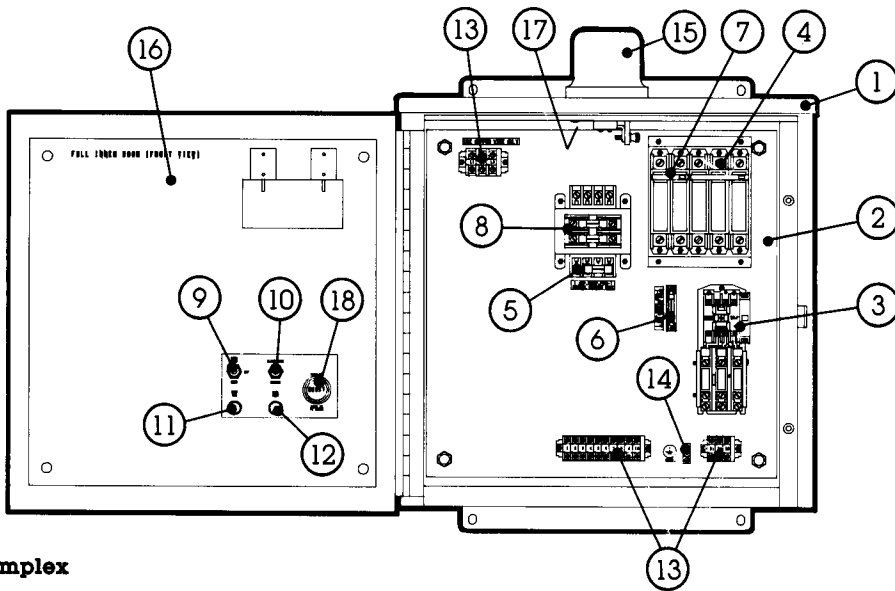
Myers®

Pentair Pump Group

CGL, CGNC, CWHV3, CWHV4 and CNC Three Phase Simplex and Duplex Control Panels

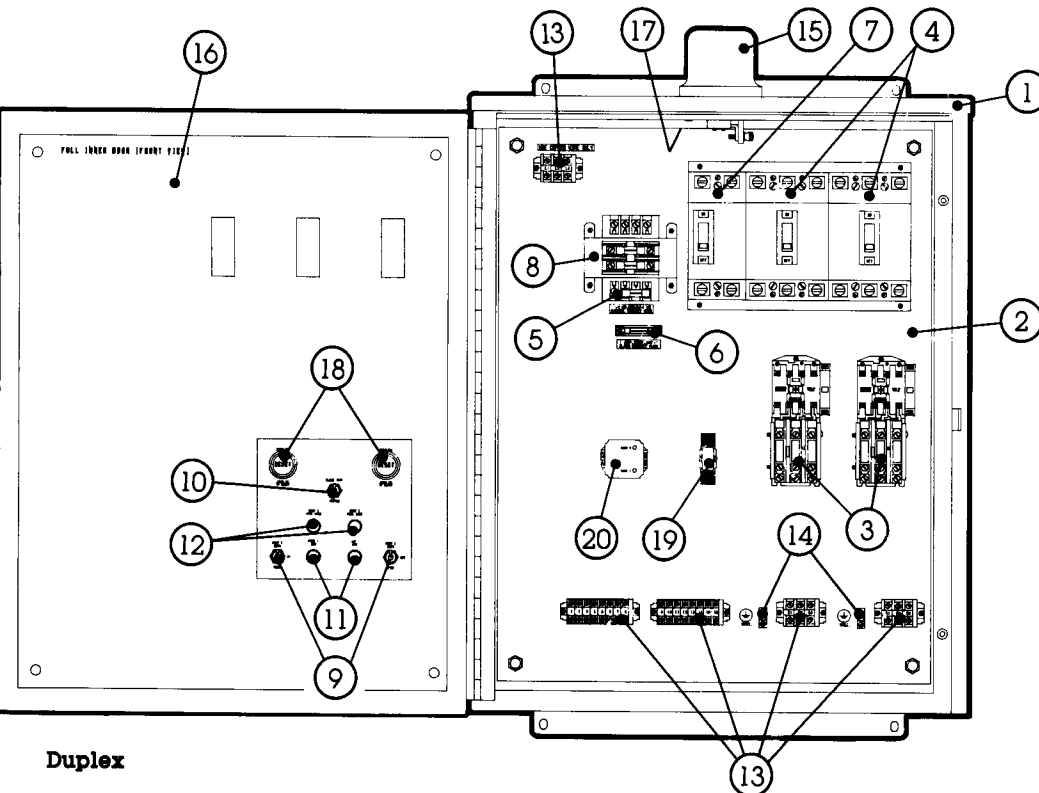
For 2-7½ HP Three Phase Submersible
Grinder Pumps and 1-60 HP
Three Phase Submersible
Non-Clog Pumps

STANDARD PANEL FEATURES FOR CGNC, CWHV3, CWHV4 and CNC



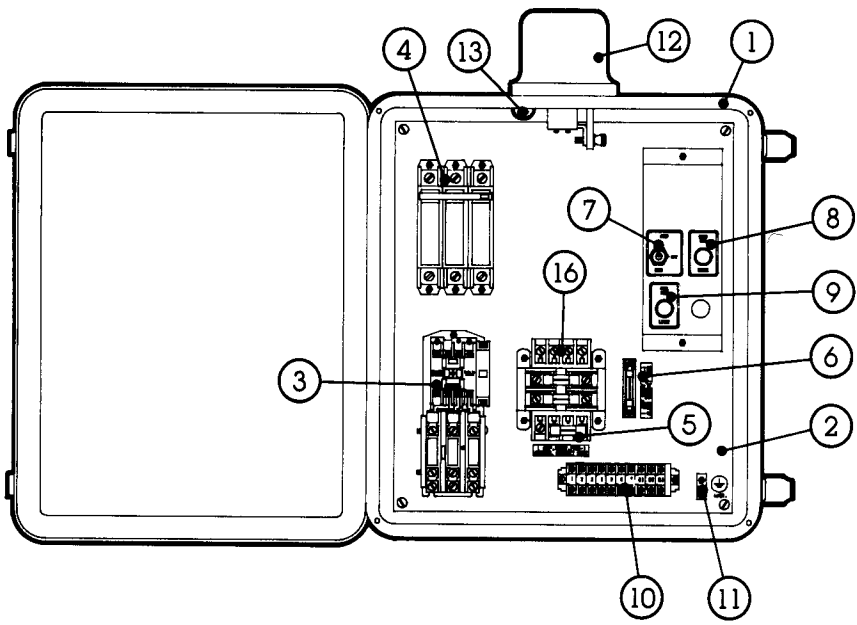
Simplex

- ① CORROSION-RESISTANT ENCLOSURE NEMA 3R galvanized steel, gray enamel finish
- ② STEEL BACK PANEL
- ③ IEC MOTOR STARTER with 3-pole bi-metal overload relay
- ④ PUMP CIRCUIT BREAKER(S) Lock-out tab(s)
- ⑤ CONTROL CIRCUIT FUSE
- ⑥ ALARM CIRCUIT FUSE
- ⑦ CONTROL CIRCUIT BREAKER
- ⑧ CONTROL CIRCUIT TRANSFORMER
- ⑨ HAND-OFF-AUTO SWITCH Momentary in-hand position
- ⑩ ALARM TEST SWITCH
- ⑪ PUMP RUN LIGHT(S) (Amber)
- ⑫ SEAL LEAK LIGHT(S) (Red) (Except CWHV3)
- ⑬ TERMINAL BLOCKS
- ⑭ GROUND LUGS
- ⑮ FLASHING ALARM LIGHT Mounted on top of enclosure (red)
- ⑯ FULL INNER DOOR
- ⑰ SOLID STATE FLASHER
- ⑱ OVERLOAD RESET BUTTON
- ⑲ OVERRIDE RELAY In event of first pump failure (duplex only)
- ⑳ ALTERNATOR RELAY Solid state (duplex only)



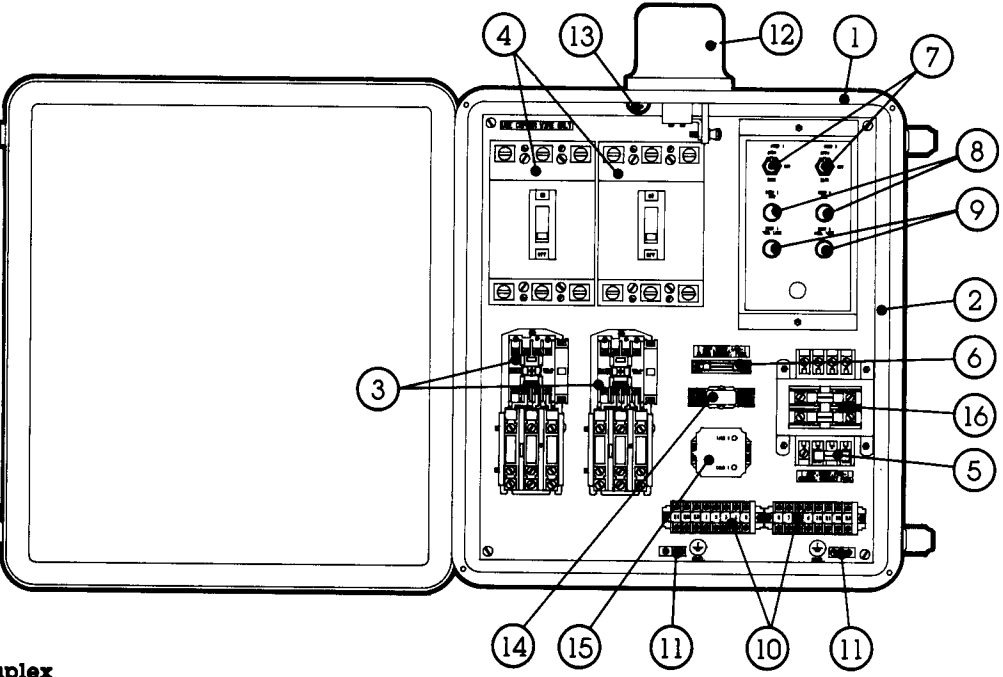
Duplex

STANDARD PANEL FEATURES FOR CGL



- ① **CORROSION-RESISTANT ENCLOSURE** NEMA 4X fiberglass (outdoor)
- ② **ALUMINUM BACK PANEL**
- ③ **IEC MOTOR STARTER** with 3-pole bi-metal overload relay
- ④ **PUMP CIRCUIT BREAKER(S)**
- ⑤ **CONTROL CIRCUIT FUSE** 1 amp
- ⑥ **ALARM CIRCUIT FUSE** 1 amp
- ⑦ **HAND-OFF-AUTO SWITCH** Momentary in-hand
- ⑧ **PUMP RUN LIGHT** (Amber)
- ⑨ **SEAL LEAK LIGHT** (Red) Only on units with detector
- ⑩ **TERMINAL BLOCKS**
- ⑪ **GROUND LUG**
- ⑫ **FLASHING ALARM LIGHT** Mounted on top of enclosure (red)
- ⑬ **SOLID STATE FLASHER**
- ⑭ **VERRIDE RELAY** In event of first pump failure (duplex only)
- ⑮ **ALTERNATOR RELAY** Solid state (duplex only)
- ⑯ **CONTROL CIRCUIT TRANSFORMER**

plex



plex

CGL, CGNC, CWHV3, CWHV4 and CNC Three Phase Simplex and Duplex Control Panels

For 2-7¹/₂ HP Three Phase Submersible
Grinder Pumps and 1-60 HP
Three Phase Submersible
Non-Clog Pumps

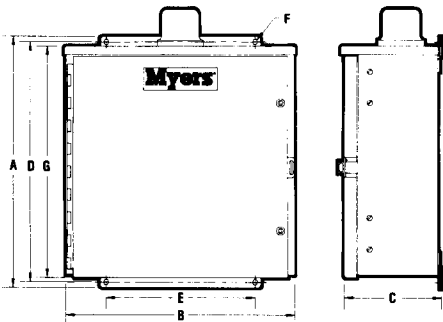
SIMPLEX SELECTION CHART

CATALOG NUMBER	ENCL.	HP	VOLT.	USED WITH PUMPS:
CGL-23SW	NEMA 4X	2	208/230	WGL20-03, WGL20-03(LD), WGL20-23, WGL20-23(LD)
CGL-43SW	NEMA 4X	2	460	WGL20-43 or WGL20-43(LD)
CGNC-20-23SW	NEMA 3R	1-2	208/230	WG, V, VC
CGNC-30-23SW	NEMA 3R	3	208/230	WG, V, R, VH, VC
CGNC-30-43SW	NEMA 3R	1-3	460	WG, V, R, VH, VC
CGNC-50-23SW	NEMA 3R	5	208/230	WG, V, R, VH, VC
CGNC-75-23SW	NEMA 3R	7 ¹ / ₂	208/230	WG, V, R, VH, VC
CGNC-75-43SW	NEMA 3R	5-7 ¹ / ₂	460	WG, V, R, VH, VC
CGNC-100-23SW	NEMA 3R	10	208/230	V, R, VH, VC
CGNC-150-23SW	NEMA 3R	15	208/230	VH, VC
CGNC-150-43SW	NEMA 3R	15	460	V, R, VH, VC
CWHV3-20-23SW	NEMA 3R	1-2	208/230	3WHV
CWHV3-30-23SW	NEMA 3R	3	208/230	3WHV
CWHV3-50-23SW	NEMA 3R	5	208/230	3WHV
CWHV3-50-43SW	NEMA 3R	1-5	460	3WHV
CWHV4-30-23SW	NEMA 3R	3	208/230	4WHV
CWHV4-50-23SW	NEMA 3R	5	208/230	4WHV
CWHV4-50-43SW	NEMA 3R	3-5	460	4WHV
CWHV4-75-23SW	NEMA 3R	7 ¹ / ₂	208/230	4WHV
CWHV4-100-23SW	NEMA 3R	10	208/230	4WHV
CWHV4-100-43SW	NEMA 3R	7 ¹ / ₂ -10	460	4WHV
CNC-250-23SW	NEMA 3R	20-25	208/230	VH, VC
CNC-250-43SW	NEMA 3R	20-25	460	VH, VC
CNC-300-23SW	NEMA 3R	30	230	VC
CNC-300-43SW	NEMA 3R	30	460	VC
CNC-400-23SW	NEMA 3R	40	230	VC
CNC-400-43SW	NEMA 3R	40	460	VC
CNC-500-23SW	NEMA 3R	50	230	VC
CNC-500-43SW	NEMA 3R	50	460	VC
CNC-600-23SW	NEMA 3R	60	230	VC
CNC-600-43SW	NEMA 3R	60	460	VC

DUPLEX SELECTION CHART

CATALOG NUMBER	ENCL.	HP	VOLT.	USED WITH PUMPS:
CGL-23DW	NEMA 4X	2	208/230	WGL20-03, WGL20-03(LD), WGL20-23, WGL20-23(LD)
CGL-43DW	NEMA 4X	2	460	WGL20-43 or WGL20-43(LD)
CGNC-20-23DW	NEMA 3R	1-2	208/230	WG, V, VC
CGNC-30-23DW	NEMA 3R	3	208/230	WG, V, R, RH, VH, VC
CGNC-30-43DW	NEMA 3R	1-3	460	WG, V, R, RH, VH, VC
CGNC-50-23DW	NEMA 3R	5	208/230	WG, V, R, RH, VH, VC
CGNC-75-23DW	NEMA 3R	7 ¹ / ₂	208/230	WG, V, R, RH, VH, VC
CGNC-75-43DW	NEMA 3R	5-7 ¹ / ₂	460	WG, V, R, RH, VH, VC
CGNC-100-23DW	NEMA 3R	10	208/230	V, R, RH, VH, VC
CGNC-150-23DW	NEMA 3R	15	208/230	RH, VH, VC
CGNC-150-43DW	NEMA 3R	15	460	V, R, RH, VH, VC
CWHV3-20-23DW	NEMA 3R	1-2	208/230	3WHV
CWHV3-30-23DW	NEMA 3R	3	208/230	3WHV
CWHV3-50-23DW	NEMA 3R	5	208/230	3WHV
CWHV3-50-43DW	NEMA 3R	1-5	460	3WHV
CWHV4-30-23DW	NEMA 3R	3	208/230	4WHV
CWHV4-50-23DW	NEMA 3R	5	208/230	4WHV
CWHV4-50-43DW	NEMA 3R	3-5	460	4WHV
CWHV4-75-23DW	NEMA 3R	7 ¹ / ₂	208/230	4WHV
CWHV4-100-23DW	NEMA 3R	10	208/230	4WHV
CWHV4-100-43DW	NEMA 3R	7 ¹ / ₂ -10	460	4WHV
CNC-250-23DW	NEMA 3R	20-25	208/230	VH, VC
CNC-250-43DW	NEMA 3R	20-25	460	VH, VC
CNC-300-23DW	NEMA 3R	30	230	VC
CNC-300-43DW	NEMA 3R	30	460	VC
CNC-400-23DW	NEMA 3R	40	230	VC
CNC-400-43DW	NEMA 3R	40	460	VC
CNC-500-23DW	NEMA 3R	50	230	VC
CNC-500-43DW	NEMA 3R	50	460	VC
CNC-600-23DW	NEMA 3R	60	230	VC
CNC-600-43DW	NEMA 3R	60	460	VC

ENCLOSURE DIMENSIONS



PANEL	CGL Simplex	CGL Duplex	1-15 HP Simplex		1-15 HP Duplex		20-60 HP Simplex		20-60 HP Duplex	
			208/230v	460v	208/230v	460v	20-25 HP	30-60 HP	20-25 HP	30-60 HP
MAT'L	Fiberglass	Fiberglass	Steel		Steel		Steel		Steel	
A	17-1/2	19-5/8	22	26	32	26	32	38	36	
B	15-7/16	17-1/2	20		24	20	24	24	36	
C	7-11/16	10-5/8	8-3/8		8-3/8	8-3/8		8-3/8	12-3/8	
D	16-3/4	18-7/8	21	25	31	25	31	31	37	
E	12	12	13		17	13	17	17	27	
F	5/16	5/16	3/8x1/2		3/8x1/2	3/8x1/2		3/8x1/2		
G	—	—	20	24	30	24	30	30	36	