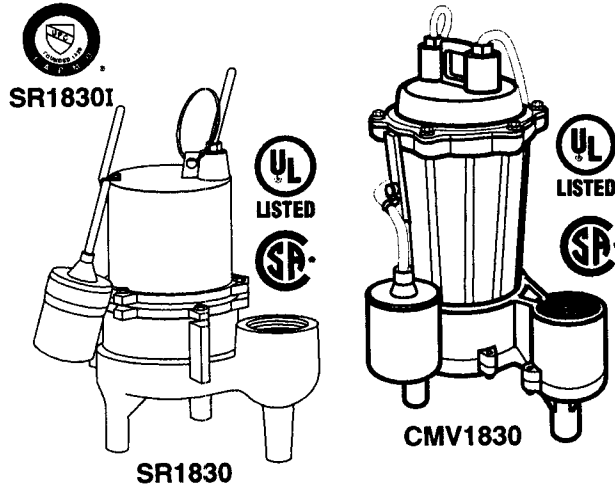


Models SR1830 & CMV1830 Submersible Sewage Pump Installation Instructions

Myers®

PENTAIR PUMP GROUP



MODELS SR1830 & CMV1830

Your SR1830 or CMV1830 is designed to operate automatically or manually and for simple and quick installation. Its pre-set fluid level control allows for efficient operation when installed in a standard 18" x 30" sewage basin.

Before installing your pump, check carefully for shipping damage. Any claim for shipping damage must be made with your supplier at the point of purchase. **The manufacturer cannot make shipping damage adjustments.**

INSTALLATION

This is a sewage handling pump and must be vented in accordance with local plumbing codes. This pump is not to be installed in locations classified as hazardous in accordance with National Electric Code, ANSI/NFPA 70.

The motor in your new submersible sewage pump is oil-filled for efficient operation. **DO NOT loosen the three motor housing screws.**

Place sewage pump on the bottom of the basin and position it to allow float to rise in center of basin. (See Figure 1). Check that nothing interferes with the float switch.

Slip cover over discharge pipe and power cord. Bolt cover securely to basin (be sure to use a cover gasket). Install discharge compression fitting and cord seal grommet.

CHECK VALVE

A properly designed full-flow check valve **MUST** be used on every installation. A series CV-200P is

provided. It eliminates back-flow, reduces vibration and acts as a pipe union for easy servicing. Install on discharge pipe (make certain that arrow on valve body points in flow direction). Connect outlet of check valve to the plumbing line leading to the sanitary sewer system.

ELECTRICAL INFORMATION

WARNING, risk of electric shock. This pump is supplied with a grounding conductor and grounding-type attachment plug. To reduce the risk of electric shock, be certain that it is connected only to a properly grounded, grounding-type receptacle. Read instructions before installing pump. This pump has not been investigated for use in swimming pool use.

Never touch the sewage pump, switch or discharge pipe when the pump is connected to electrical power.

Check the electrical circuit to make sure it meets the voltage and amperage requirement listed on the motor name plate.

Your electrical service outlet should meet the National Electric Code and/or local codes. Your pump should have a separate branch circuit, properly fused and grounded. The outlet should be 4' above the floor and close enough to your pump that the original cord can reach it. **Never use an extension cord.**

Plug the switch power cord into a properly grounded outlet. Plug the pump power cord into the back of the switch cord plug. Tape the power cords to the discharge pipe every 12 inches to make sure any movement will not damage the insulation. Do a neat job!

To test the system, add water to the sewage basin until the float switch operates normally.

Your pump has thermal overload protection. If the impeller becomes locked because of a foreign object, the motor will overheat and the thermal overload switch will cut off the electricity. Unplug pump and remove the foreign object immediately. See that the impeller turns freely.

Caution—Always disconnect your pump and switch from the electrical power source before doing any maintenance.

SWITCH ADJUSTMENT AND REPLACEMENT INSTRUCTIONS

Caution—Always disconnect the pump and switch from the electrical power source before doing any maintenance! This pump is equipped with a float switch and does not control both sides of the electrical circuit. To reduce the risk of electric shock it is essential that it be wired in series with the hot side of the electrical circuit. Make sure your outlets are wired according to your local electrical code.

1. Inspect the pump to be certain that there are no rocks, lint, etc. clogging the openings where water enters the pump housing. Remove any debris. Check to see that the impeller turns freely.
2. Plug the pump power cord into a properly grounded, 3 hole outlet. If the pump works,

(impeller turns and air is blowing out of discharge opening), proceed to step 3. **If the pump does not work, it must be replaced.**

3. If the pump works, (1) unplug pump and (2) replug into back of switch and (3) plug the assembly into the electrical outlet. Raise switch by hand to activate pump. If pump turns on, pump and switch are OK—no need to replace. If pump does not turn on, the switch is defective and must be replaced. Proceed to step 4. Then, with a new switch, repeat step 3. If pump turns on, the problem is solved.
4. To replace switch, remove screw from tether clamp. In assembling new switch, position cable tie (17190A008) so the tether length is 2⁷/₈-3". Tighten cable tie and cut off excess length. Mount tie to the pump with a #10-24UNC x 1/2" long SST screw.

TYPICAL SEWAGE SYSTEM INSTALLATION

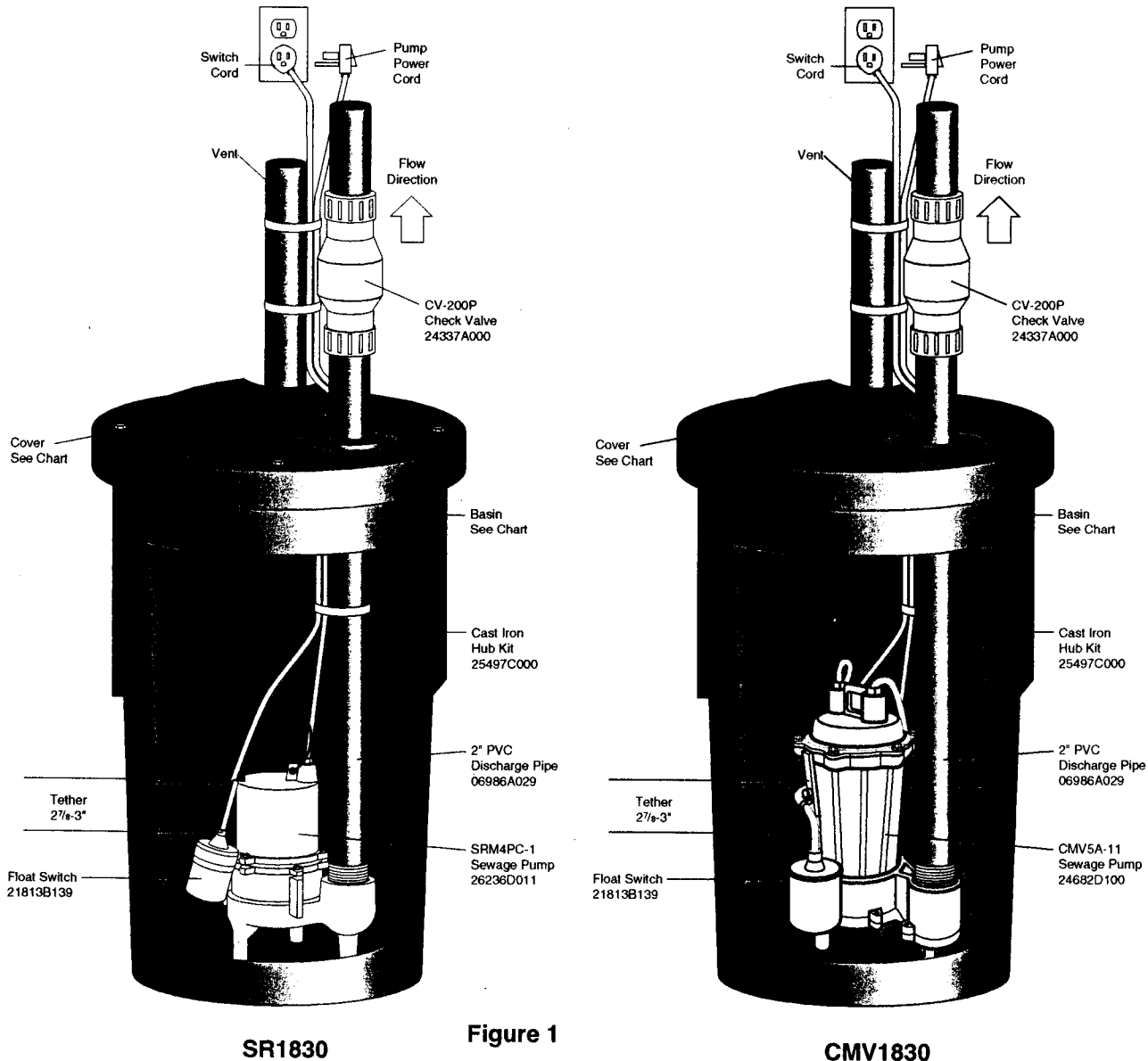


Figure 1

BASIN AND COVER REPAIR PARTS

25533D100	Basin 18 x 30 Reg. Top for Solid Covers or Split Covers.
25536C100	Cover, Solid, Domed Plastic, (4) Hole, 2" or 3" Vent.
25536C010	Cover, Split, 2" Vent.
25536C011	Cover, Split, 3" Vent.

25960D000	IAPMO Basin, 18 x 30 Reg. Top for Solid Covers (16) Hole.
25961C000	IAPMO Cover, Solid, Steel (16) Hole, 2" Vent.
25961C001	IAPMO Cover, Solid, Steel (16) Hole, 3" Vent.
25961C401	IAPMO Cover, Solid, Steel, (16) Hole, 2" or 3" Vent.

LIMITED WARRANTY

During the time periods and subject to the conditions hereinafter set forth, F. E. MYERS will repair or replace to the original user or consumer any portion of your new MYERS product which proves defective due to defective materials or workmanship of MYERS. Contact your nearest Authorized MYERS Dealer for warranty service. At all times MYERS shall have and possess the sole right and option to determine whether to repair or replace defective equipment, parts, or components. Damage due to lightning or conditions beyond the control of MYERS is NOT COVERED BY THIS WARRANTY.

WARRANTY PERIOD

PUMPS: 12 months from date of installation or 18 months from date of manufacture, whichever occurs first.

LABOR, ETC. COSTS: MYERS shall IN NO EVENT be responsible or liable for the cost of field labor or other charges incurred by any customer in removing and/or reaffixing any MYERS product, part, or component thereof.

This WARRANTY WILL NOT APPLY: (a) to defects or malfunctions resulting from failure to properly install, operate or maintain the unit in accordance with printed instructions provided; (b) to failures resulting from abuse, accident, or negligence; (c) to normal maintenance services and the parts used in connection with such service; (d) to units which are not installed in accordance with applicable local codes; ordinances, and good trade practices; (e) unit is used for purposes other than for what it was designed and manufactured, and (f) if three phase submersible motors are installed on a single phase power supply using a phase converter or if three phase power is supplied by only two transformers, making an open Delta system.

RETURN OR REPLACED COMPONENTS: Any item to be replaced under this Warranty must be returned to MYERS at Ashland, Ohio, or such other place as MYERS may designate, freight prepaid.

PRODUCT IMPROVEMENTS: MYERS reserves the right to change or improve its products or any portions thereof without being obligated to provide such a change or improvement for units sold and/or shipped prior to such change or improvement.

WARRANTY EXCLUSIONS: As to any specific MYERS product, after the expiration of the time period of the warranty applicable thereto as set forth under the heading "Warranty Periods" above, THERE WILL BE NO WARRANTIES INCLUDING ANY IMPLIED WARRANTIES OF MERCHANTABILITY OR FITNESS FOR ANY PARTICULAR PURPOSE.

Some states do not allow limitations on how long an implied warranty lasts, so the above limitation may not apply to you. No warranties or representations at any time made by any representative of MYERS shall vary or expand the provisions hereof.

LIABILITY LIMITATIONS: IN NO EVENT SHALL MYERS BE LIABLE OR RESPONSIBLE FOR CONSEQUENTIAL, INCIDENTAL OR SPECIAL DAMAGES RESULTING FROM OR RELATED IN ANY MANNER TO ANY MYERS PRODUCT OR PARTS THEREOF.

Some states do not allow the exclusion or limitation of incidental or consequential damages, so the above limitation or exclusion may not apply to you.

This Warranty gives you specific legal rights and you may also have other rights which vary from state to state.

In the absence of other suitable proof of this installation date, the effective date of this warranty will be based upon the date of manufacture plus one year.

Direct all notices, etc. to: Warranty and Product Service Department, F. E. Myers, 1101 Myers Parkway, Ashland, Ohio 44805-1969.

DETERMINATION OF UNIT DATE OF MANUFACTURER: Submersible sump pump (8-94) month and year stamped on pump nameplate; column sump pump month and year stamped on red warranty tag.

Myers®

PENTAIR PUMP GROUP

F. E. Myers, 1101 Myers Parkway, Ashland, Ohio 44805-1969
419/289-1144, FAX: 419/289-6658, www.femyers.com

Myers (Canada), 269 Trillium Drive, Kitchener, Ontario N2G 4W5
519/748-5470, FAX: 519/748-2553