

MPB SERIES

The MPB Booster Pumps are the most durable booster pumps available. The floating impeller design minimizes thrust loads, allowing for continuous operation without damage to motor bearings, mechanical seal or pump hydraulic components.



APPLICATIONS

Car wash, filtration and reverse osmosis, residential, commercial or agricultural pressure washing, booster and spray systems, HVAC, general purpose pumping

SPECIFICATIONS

- Max. Working Pressure - 315 PSI
- Max. Suction Lift - 15 feet
- Maximum Limits - Prolonged use with liquids above 140° F is not recommended
- Discharge - Cast Iron
- Motor Adapter and Base - Cast Iron
- Shell - 304 Grade Stainless Steel
- Impeller - Acetal
- Diffuser - Polycarbonate
- Shaft - 304 Grade Stainless Steel
- O-Rings - Buna-N
- Mechanical Seal - Carbon/ceramic, Buna-N

FEATURES

Faster, Easier Service

True BACK PULL-OUT design allows impeller and bearing frame to be backed out of volute without disturbing plumbing or mounting fixture, saving time needed for preventive maintenance

Peak Performance at Every Stage

Precision-fit impellers are designed to maximize hydraulic pressure and water delivery at each stage

Tougher Than Steel

Staging system uses ceramic wear surface for superior wear and heat resistance

Size/Weight Advantage

Compact, lightweight design grabs first place for faster installation and improved economy

Broad Base of Support

Versatile mounting base is specially designed to be an easy fit in a wider variety of challenging applications

Myers®: The Proven Leader

The industry leader in booster pumps offers solutions in a broad range of commercial and OEM applications

ORDERING INFORMATION

Catalog Number	GPM	HP	Phase	Stages	Pipe Tapping Sizes		Motor Voltage	Shipping* Wt. (lbs.)
					Inlet	Outlet		
7MPB50	7	1/2	1	9	3/4"	3/4"	115/230	48
7MPB75		3/4	1	12	3/4"	3/4"	115/230	48
7MPB100		1	1	16	3/4"	3/4"	115/230	51
10MPB50	10	1/2	1	6	3/4"	3/4"	115/230	45
10MPB75		3/4	1	8	3/4"	3/4"	115/230	46
10MPB100		1	1	10	3/4"	3/4"	115/230	50
10MPB150		1-1/2	1	14	3/4"	3/4"	115/230	58
10MPB200		2	1	16	3/4"	3/4"	115/230	63
20MPB100	20	1	1	7	1"	1"	115/230	49
20MPB150		1-1/2	1	9	1"	1"	115/230	57
20MPB200		2	1	11	1"	1"	115/230	62
20MPB300		3	1	15	1"	1"	208-230	59
30MPB100	30	1	1	5	1-1/4"	1-1/4"	115/230	47
30MPB150		1-1/2	1	6	1-1/4"	1-1/4"	115/230	54
30MPB200		2	1	7	1-1/4"	1-1/4"	115/230	57
30MPB300		3	1	11	1-1/4"	1-1/4"	208-230	59

*Length and weight are approximate.

NOTE: ODP motor is standard, for TEFC motors, contact Customer Service.

COMPONENTS ORDERING INFORMATION

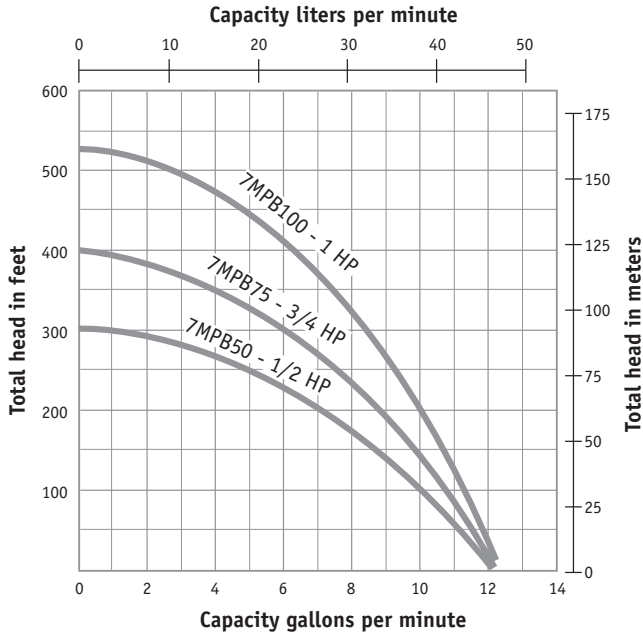
Pkg. No.	Description	Approx. Wt. Lbs.
SUCTION		
83	Suction hose – 3/4" 150 PSI hose, 6 ft. section with two (2) female hose fittings	3
85	Two (2) garden hose/NPT adapters – 3/4" NPT male to 3/4" garden hose male	3
96	Vacuum relief valve – 1/2" NPT	2
150 PSI RATED* DISCHARGE		
84	Discharge hose – 3/4" 150 PSI hose, 25 ft. section with male and female garden hose fittings	10
86	High pressure pistol grip nozzle with three (3) nozzles (No. 56, 50 and 49)	2
315 PSI RATED* DISCHARGE		
162	25' of 1" ID hose with 3/4" male and female hose fittings 315 PSI rating	15
194	High pressure pistol grip nozzle with three (3) nozzles (No. 56, 50 and 49) rated for 500 PSI	2

*To select proper discharge accessories for your pump, add incoming pressure to pump output pressure, to determine total discharge pressure.

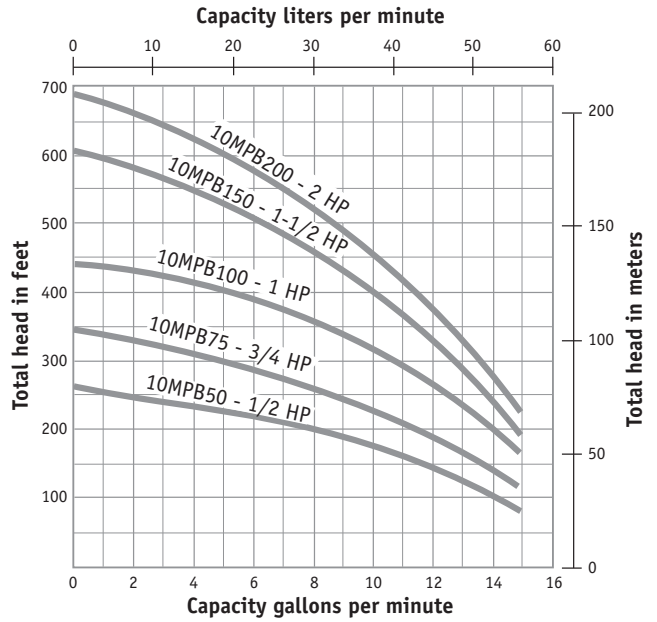
Example: Incoming pressure 20 PSI + pump output pressure (7MPB50 at 0 GPM, 300') 87 PSI = Total 107 PSI at discharge = 107 PSI rated discharge accessories.

MPB SERIES SERVICEABLE HIGH PRESSURE BOOSTER PUMPS

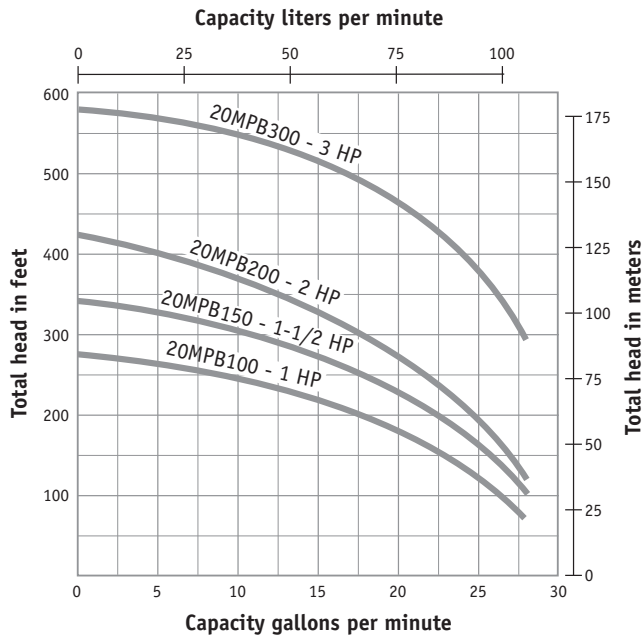
PUMP PERFORMANCE - 7 GPM



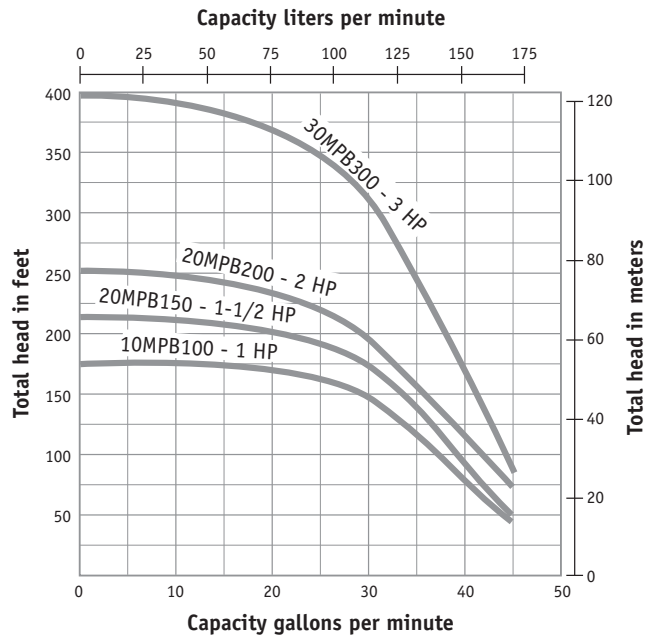
PUMP PERFORMANCE - 10 GPM



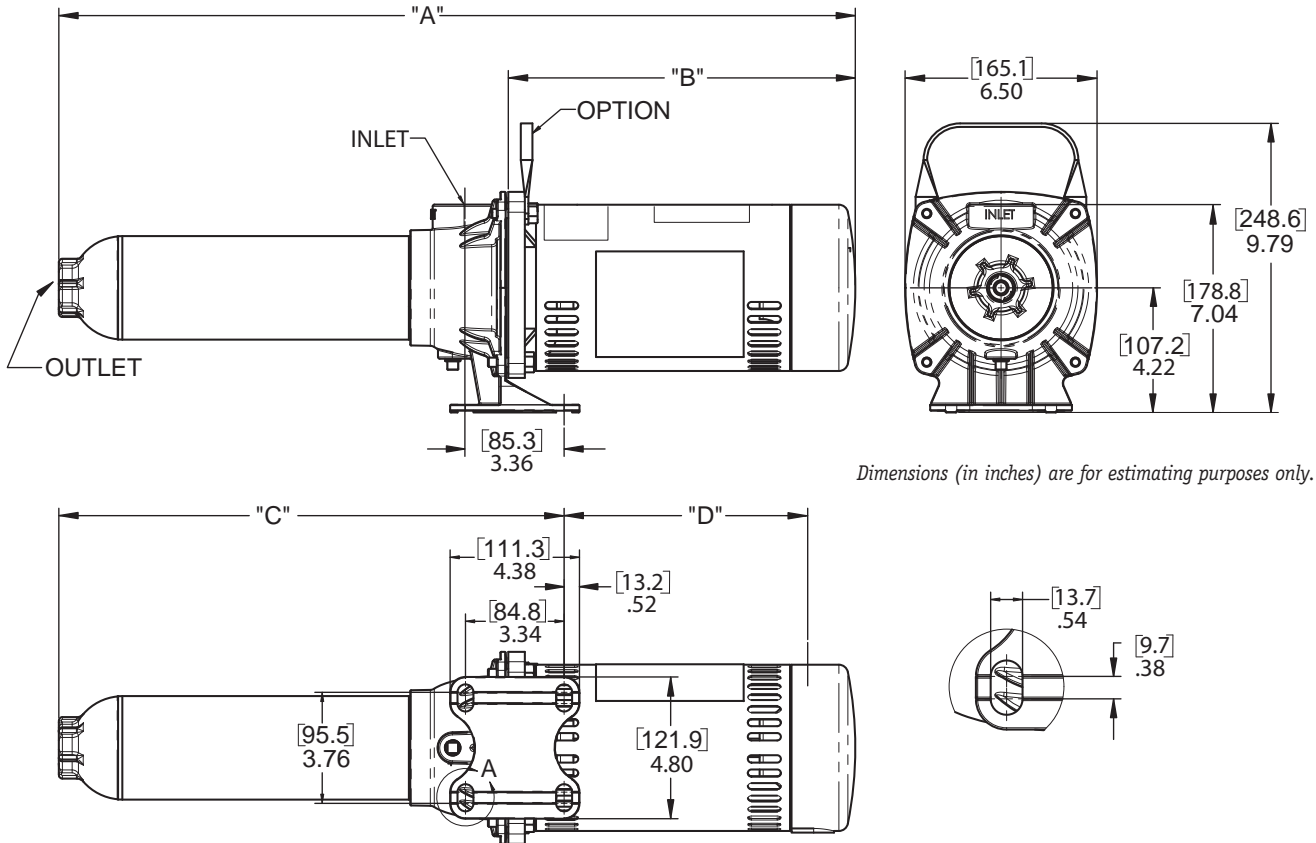
PUMP PERFORMANCE - 20 GPM



PUMP PERFORMANCE - 30 GPM



OUTLINE DIMENSIONS



Dimensions (in inches) are for estimating purposes only.

Catalog Number	HP	Dimensions in Inches			
		A*	B*	C	D
7MPB50	1/2	23.18	10.38	14.69	8.49
7MPB75	3/4	26.29	10.88	17.30	8.99
7MPB100	1	30.78	11.88	20.79	9.99
10MPB50	1/2	20.56	10.38	12.07	8.49
10MPB75	3/4	22.80	10.88	13.81	8.99
10MPB100	1	25.55	11.88	15.56	9.99
10MPB150	1-1/2	29.78	12.62	19.05	10.73
10MPB200	2	31.62	12.72	20.79	10.83
20MPB100	1	24.64	11.88	14.65	9.99
20MPB150	1-1/2	27.61	12.62	16.88	10.73
20MPB200	2	29.94	12.72	19.11	10.83
20MPB300	3	36.03	14.34	23.58	12.45
30MPB100	1	24.02	11.88	14.03	9.99
30MPB150	1-1/2	26.20	12.62	15.47	10.73
30MPB200	2	27.73	12.72	16.90	10.83
30MPB300	3	35.11	14.34	22.66	12.45

*Add approximately 2" for TEFC style motors.