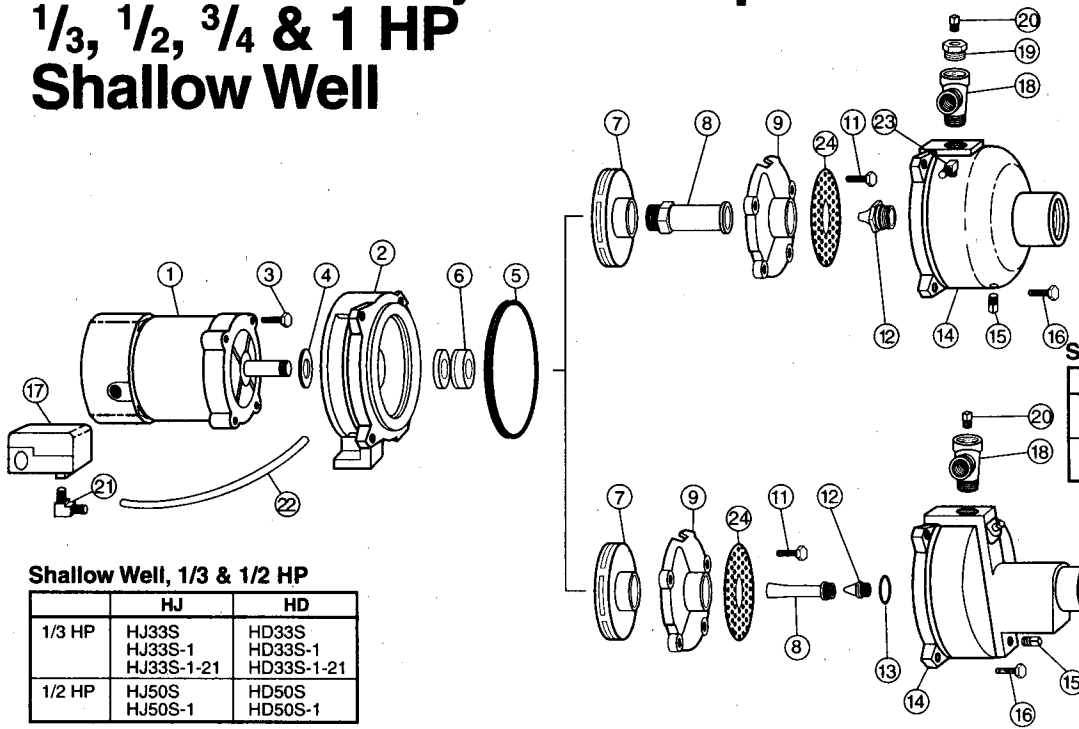


HJ/HD Series Ejecto Pump Parts List

1/3, 1/2, 3/4 & 1 HP Shallow Well

1020/213
2/95



Shallow Well, 3/4 & 1 HP

	HJ	HD
3/4 HP	HJ75S HJ75S-1	HD75S —
1 HP	HJ100S HJ100S-1	HD100S —

Shallow Well, 1/3 & 1/2 HP

	HJ	HD
1/3 HP	HJ33S HJ33S-1 HJ33S-1-21	HD33S HD33S-1 HD33S-1-21
1/2 HP	HJ50S HJ50S-1	HD50S HD50S-1

Key No.	Description	Part No. for 1/3 HP units	Part No. for 1/2 HP units	Part No. for 3/4 HP units	Part No. for 1 HP units
1	Motor, 115V, HJ	20922A000	—	—	—
	Motor, 115/230V, HJ	20923A000	20924A000	20934A000	20935A000
	Motor, 115V, HD	14522B010	14523B010	19208B010	19209B010
	Motor, 230V, HD	17046B000	14523B010	19208B010	19209B010
2	Bracket - HJ	20936D001	20936D001	20937D001	20937D001
	Bracket - HD	19192D000	19192D001	19194D000	19194D001
	Screw, Set #10 - 24 UNC x 3/16" - Used on HD to secure motor bearing - 2 Req'd.	05013A033	05013A033	05013A033	05013A033
3	Screw, Cap, 3/8" - 16 UNC x 7/8" - Used on HJ - 4 Req'd.	19101A008	19101A008	19101A008	19101A008
4	Slinger	05059A318	05059A318	05059A318	05059A318
5	Gasket	05014A157	05014A157	05014A158	05014A158
6	Seal, Shaft	14525A000	14525A000	14525A000	14525A000
7	Impeller - Lexan	16621B010	16622B010	19195B004	19196B004
	Impeller - Brass	17681B003	17682B003	19195B000	19196B000
8	Venturi	25886A400	25886A500	25882A546	19199A001
9	Diffuser	12370B006	12371B000	14379B000	14380B000
11	Screw, Cap, 1/4" - 20 UNC x 1" - 3 Req'd.	19099A012	19099A012	19099A012	19099A012
12	Nozzle	12366A001	12367A000	08546A004	08546A004
13	O Ring	—	—	05876A007	05876A007
14	Case, Pump	18622D001	18622D001	19197D000	19197D000
15	Plug, Pipe, 1/8" NPT - 2 Req'd. on 1/3 & 1/2 HP units; 3 Req'd. on all others	05022A021	05022A021	05022A021	05022A021
	Plug, Pipe, 1/4" NPT - 2 Req'd. on 1/3 & 1/2 HP units; 3 Req'd. on all others	05022A009	05022A009	05022A009	05022A009
16	Screw, Cap, 3/8" - 16 UNC x 1-1/4" - 4 Req'd.	19101A020	19101A020	—	—
	Screw, Cap, 7/16" - 14 UNC x 1-1/2" - 4 Req'd.	—	—	19102A009	19102A009
17	Switch, Pressure	15760A000	15760A000	15760A000	15760A000
	Nut, Conduit Nipple	08715A000	08715A000	08715A000	08715A000
	Nipple, Conduit - For units w/separate nipple	15021A001	15021A001	15021A001	15021A001
18	Tee	05002A004	05002A004	05002A004	05002A004
19	Bushing	05004A035	05004A035	—	—
20	Plug, Pipe	05022A009	05022A009	05022A007	05022A007
21	Fitting, 1/4" NPT - For units w/plastic tube	23188A002	23188A002	23188A002	23188A002
22	Tube - For units w/plastic tube	10649A123	10649A123	10649A123	10649A123
23	Fitting, 1/8" NPT - For units w/plastic tube	23188A001	23188A001	23188A001	23188A001
	Package - Consists of Ref. Nos. 18 thru 23	15285A025	15285A025	15285A022	15285A022
24	Screen	13069B000	13069B000	13069B002	13069B002

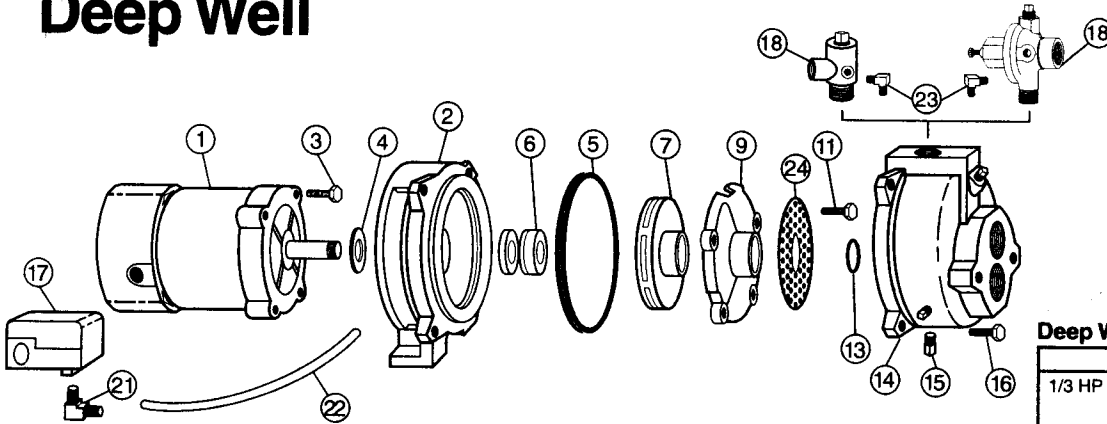
Myers®

F.E. Myers, 1101 Myers Parkway, Ashland, Ohio 44805-1969
419/289-1144, FAX: 419/289-6658, TLX: 948-7443

HJ/HD Series Ejecto Pump Parts List

1/3, 1/2, 3/4 & 1 HP

Deep Well



Deep Well

	HJ	HD
1/3 HP	HJ33D HJ33D-1 — — —	HD33D HD33D-1 HD33D-R HD33D-1R HD33D-1-21
1/2 HP	HJ50D HJ50D-1 HJ50D-R —	HD50D HD50D-1 HD50D-R HD50D-1R
3/4 HP	HJ75D HJ75D-1	HD75D —
1 HP	HJ100D HJ100D-1	HD100D —

Key No.	Description	Part No. for 1/3 HP units	Part No. for 1/2 HP units	Part No. for 3/4 HP units	Part No. for 1 HP units
1	Motor, 115V, HJ	20922A000	—	—	—
	Motor, 115/230V, HJ	20923A000	20924A000	20934A000	20935A000
	Motor, 115V, HD	14522B010	14523B010	19208B010	19209B010
	Motor, 230V, HD	17046B000	14523B010	19208B010	19209B010
2	Bracket - HJ	20936D001	20936D001	20937D001	20937D001
	Bracket - HD	19192D000	19192D000	19194D000	19194D001
	Screw, Set #10 - 24 UNC x 3/16" - Used on HD to secure motor bearing - 2 Req'd.	05013A033	05013A033	05013A033	05013A033
3	Screw, Cap, 3/8" - 16 UNC x 7/8" - Used on HJ - 4 Req'd.	19101A008	19101A008	19101A008	19101A008
4	Slinger	05059A318	05059A318	05059A318	05059A318
5	Gasket	05014A157	05014A157	05014A158	05014A158
6	Seal, Shaft	14525A000	14525A000	14525A000	14525A000
7	Impeller - Lexan	16621B010	16622B010	19195B004	19196B004
	Impeller - Brass	17681B003	17682B003	19195B000	19196B000
9	Diffuser	12370B000	12371B000	14379B000	14380B000
11	Screw, Cap, 1/4" - 20 UNC x 1" - 3 Req'd.	19099A012	19099A012	19099A012	19099A012
13	O Ring	05876A003	05876A003	05876A087	05876A087
14	Case, Pump	18623D000	18623D000	19198D000	19198D000
15	Plug, Pipe, 1/8" NPT - 3 Req'd.	05022A021	05022A021	05022A021	05022A021
	Plug, Pipe, 1/4" NPT - 3 Req'd.	05022A009	05022A009	05022A009	05022A009
16	Screw, Cap, 3/8" - 16 UNC x 1-1/4" - 4 Req'd.	19101A020	19101A020	—	—
	Screw, Cap, 7/16" - 14 UNC x 1-1/2" - 4 Req'd.	—	—	19102A009	19102A009
17	Switch, Pressure	15760A000	15760A000	15760A000	15760A000
	Nut, Conduit Nipple	08715A000	08715A000	08715A000	08715A000
	Nipple, Conduit - For units w/separate nipple	15021A001	15021A001	15021A001	15021A001
18	Regulator, Pressure - Refer to Section 1020, Page 21	13980A001	13980A001	15496B000	15496B000
	Regulator, Pressure - Units with cat. no. containing "-R" or "-1R" - Refer to Section 1020, Page 21	15495B001	15495B001	—	—
21	Fitting, 1/4" NPT - For units w/plastic tube	23188A002	23188A002	23188A002	23188A002
22	Tube - For units w/plastic tube	10649A120	10649A120	10649A120	10649A120
23	Fitting, 1/8" NPT - For units w/plastic tube	23188A001	23188A001	23188A001	23188A001
	Package - Consists of Ref. Nos. 18 thru 23	15285A014	15285A014	15285A023	15285A023
	Package - Consists of Ref. Nos. 18 thru 23 - Units with cat. no. containing "-R" or "-1R"	15285A018	15285A018	—	—
24	Screen	13069B000	13069B000	13069B002	13069B002



F.E. Myers, 1101 Myers Parkway, Ashland, Ohio 44805-1969
419/289-1144, FAX: 419/289-6658, TLX: 948-7443