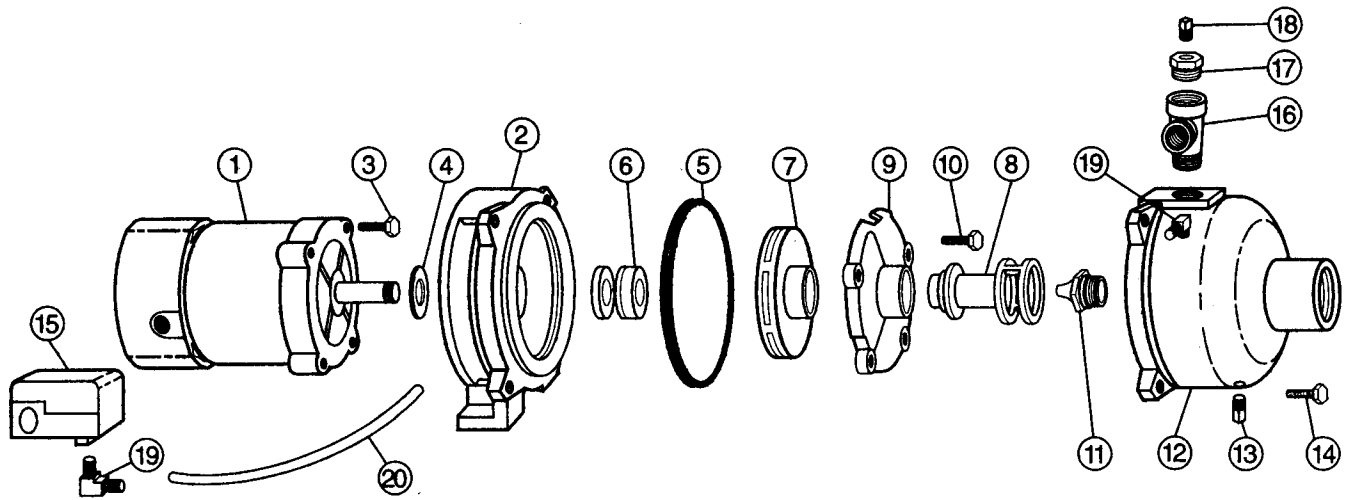


HJA Series Ejecto Pumps Parts List

1/3, 1/2, 3/4 & 1 HP

Shallow Well



Ref. No.	Description	Part No. for 1/3 HP units	Part No. for 1/2 HP units	Part No. for 3/4 HP units	Part No. for 1 HP units
1	Motor - 115/230 V. - HJA	20923A000	20924A000	20934A000	20935A000
2	Bracket - HJA	20936D001	20936D001	20936D004	20936D004
3	Screw, Cap, 3/8" -16 UNC x 7/8" - 4 Req'd.	19101A008	19101A008	19101A008	19101A008
4	Slinger	05059A318	05059A318	05059A318	05059A318
5	Gasket	05014A157	05014A157	05014A157	05014A157
6	Seal, Shaft	14525A000	14525A000	14525A000	14525A000
7	Impeller - Lexan	16621B010	26188B010	19195B004	19196B004
	Impeller - Brass	17681B003	17682B004	19195B000	19196B000
8	Venturi	25886A406	26232B000	26232B001	26232B002
9	Diffuser	12370B000	12371B000	14379B001	14379B001
10	Screw, Cap, 1/4" -20 UNC x 1" - 3 Req'd.	19099A023	19099A023	19099A023	19099A023
11	Nozzle	12366A001	12367A000	26224A002	26224A001
12	Case, Pump	18622D001	18622D001	18622D001	18622D001
13	Plug, Pipe, 1/4" NPT - 2 Req'd.	05022A009	05022A009	05022A009	05022A009
14	Screw, Cap, 3/8" -16 UNC x 1-1/4" - 4 Req'd.	19101A020	19101A020	19101A020	19101A020
15	Switch, Pressure	15760A000	15760A000	15760A000	15760A000
	Nut, Conduit Nipple	08715A000	08715A000	08715A000	08715A000
	Nipple, Conduit - For units w/separate nipple	15021A001	15021A001	15021A001	15021A001
16	Tee	05002A001	05002A001	05002A001	05002A001
17	Bushing	05004A016	05004A016	05004A016	05004A016
18	Plug, Pipe	05022A009	05022A009	05022A009	05022A009
19	Fitting, 1/4" NPT - 2 Req'd.	23188A002	23188A002	23188A002	23188A002
20	Tube	10649A123	10649A123	10649A123	10649A123
—	Package - Consists of ref. nos. 17 thru 20	15285A025	15285A025	15285A026	15285A026

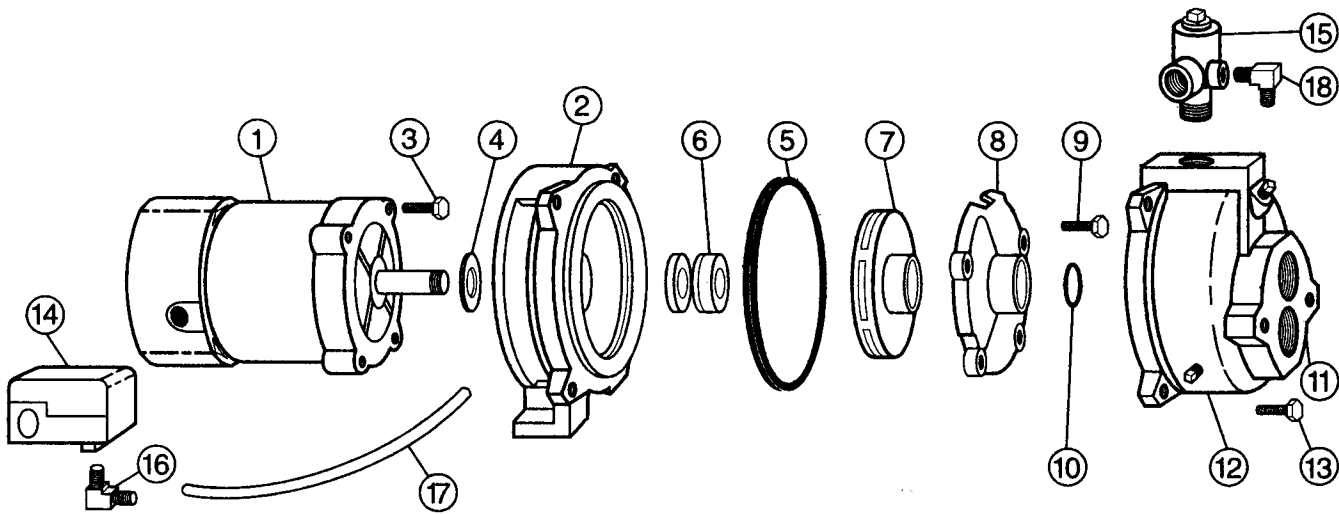
Myers®

F.E. Myers, 1101 Myers Parkway, Ashland, Ohio 44805-1969
419/289-1144 • FAX: 419/289-6658 • TLX: 98-7443

HJA Series Ejecto Pumps Parts List

1/3, 1/2, 3/4 & 1 HP

Deep Well



Ref. No.	Description	Part No. for 1/3 HP units	Part No. for 1/2 HP units	Part No. for 3/4 HP units	Part No. for 1 HP units
1	Motor - 115/230 v. - HJA	20923A000	20924A000	20934A000	20935A000
2	Bracket - HJA	20936D001	20936D001	20936D004	20936D004
3	Screw, Cap, 3/8" -16 UNC x 7/8" - 4 Req'd.	19101A008	19101A008	19101A008	19101A008
4	Slinger	05059A318	05059A318	05059A318	05059A318
5	Gasket	05014A157	05014A157	05014A157	05014A157
6	Seal, Shaft	14525A000	14525A000	14525A000	14525A000
7	Impeller - Lexan	16621B010	16622B010	19195B004	19196B004
	Impeller - Brass	17681B003	17682B003	19195B000	19196B000
8	Diffuser	12370B000	12371B000	14379B001	14379B001
9	Screw, Cap, 1/4" -20 UNC x 1" - 3 Req'd.	19099A023	19099A023	19099A023	19099A023
10	O-Ring	05876A003	05876A003	05876A003	05876A003
11	Case, Pump	18623D000	18623D001	18623D001	18623D001
12	Plug, Pipe, 1/4" NPT - 2 Req'd.	05022A009	05022A009	05022A009	05022A009
13	Screw, Cap, 3/8" -16 UNC x 1-1/4" - 4 Req'd.	19101A020	19101A020	19101A020	19101A020
14	Switch, Pressure	15760A000	15760A000	15760A000	15760A000
	Nut, Conduit Nipple	08715A000	08715A000	08715A000	08715A000
	Nipple, Conduit - For units w/separate nipple	15021A001	15021A001	15021A001	15021A001
15	Regulator, Pressure - Refer to Section 1020, Page 21	24349B000	24349B000	24349B000	24349B000
16	Fitting, 1/4" NPT	23188A002	23188A002	23188A002	23188A002
17	Tube	10649A120	10649A120	10649A120	10649A120
—	Package - Consists of ref. nos. 15 thru 17	15285A003	15285A003	15285A003	15285A003
18	Fitting, 1/8" NPT	23188A003	23188A003	23188A003	23188A003

For Ejector Packages, See Section 1020, Page 400.

Myers®

F.E. Myers, 1101 Myers Parkway, Ashland, Ohio 44805-1969
419/289-1144 • FAX: 419/289-6658 • TLX: 98-7443